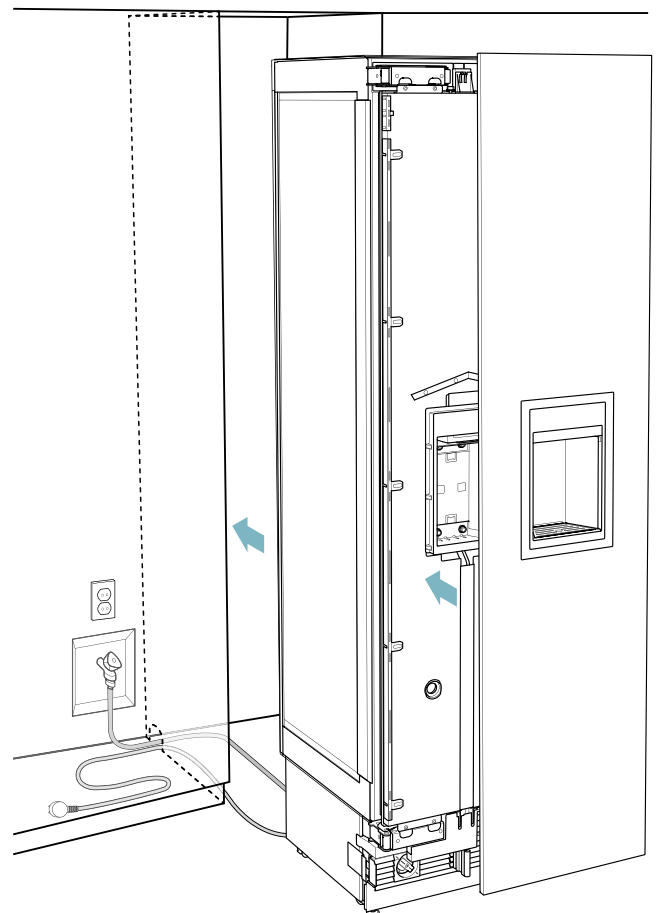


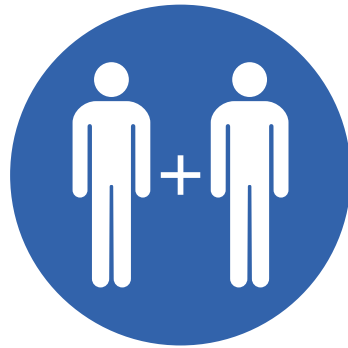
RF463304

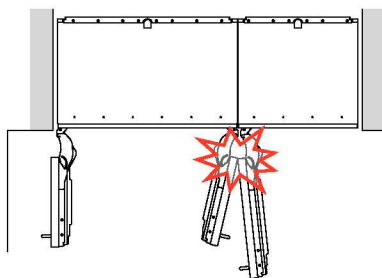
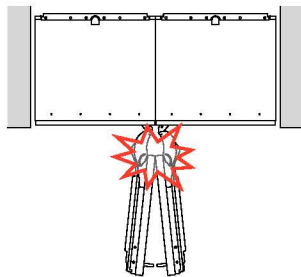
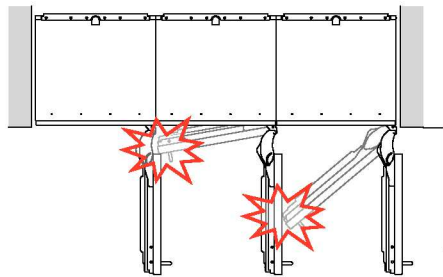
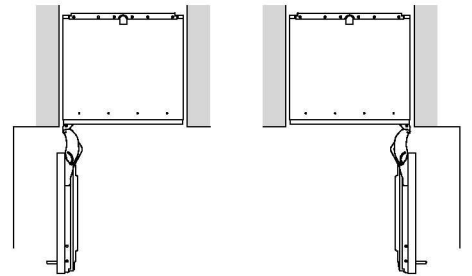
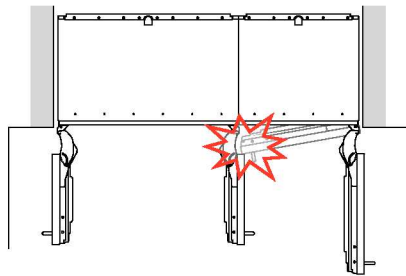
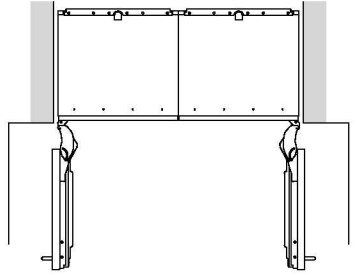
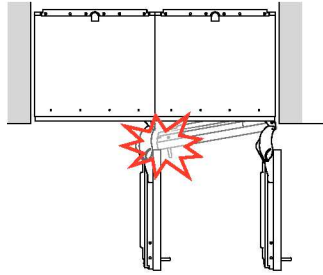
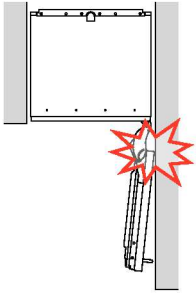
RF463305

RF463505

RF463905





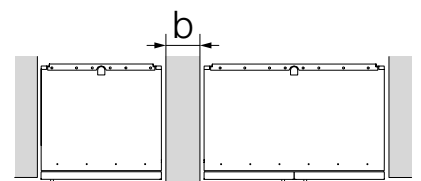
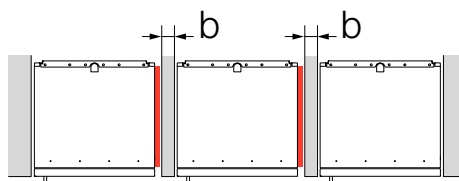
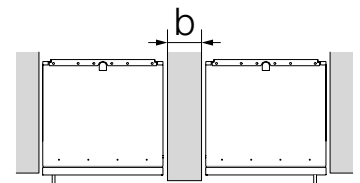
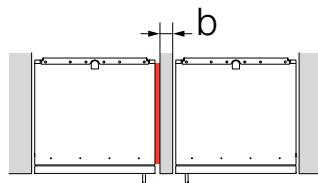
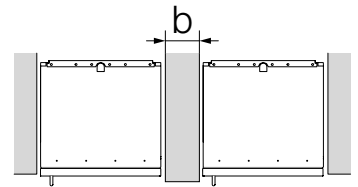
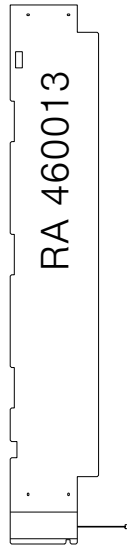
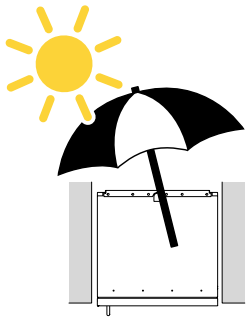
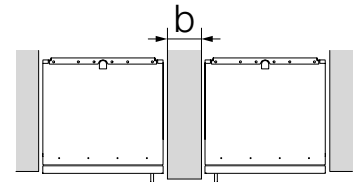
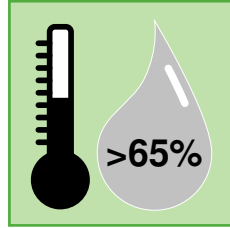
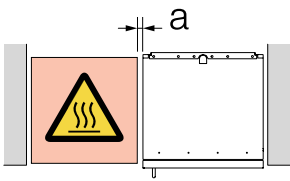


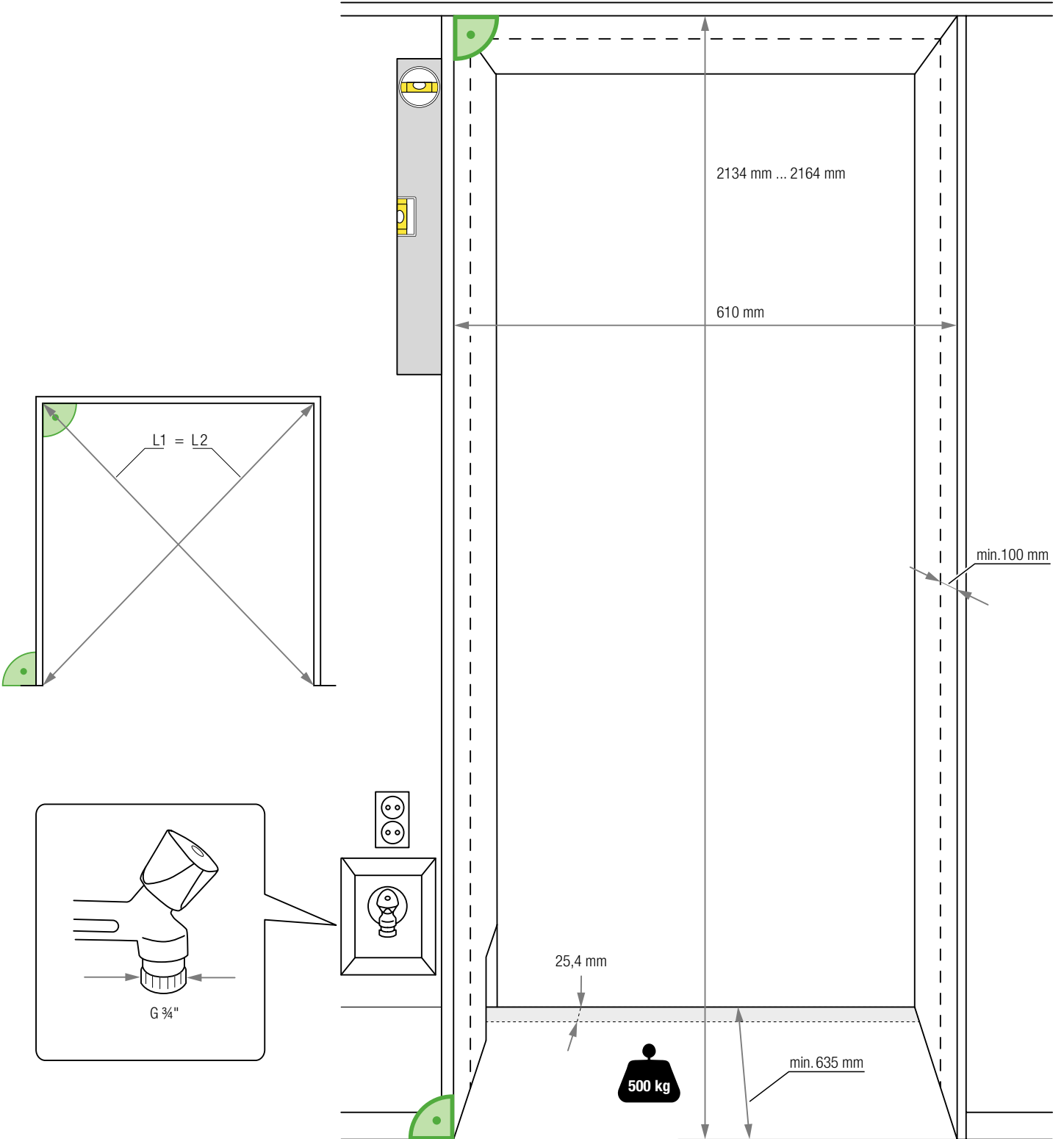
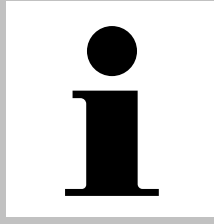


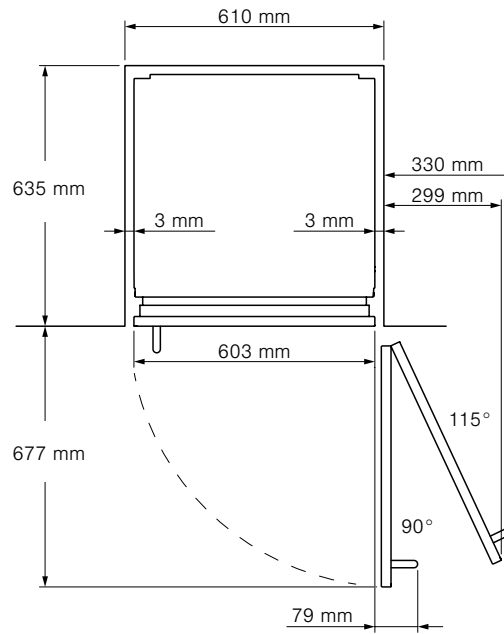
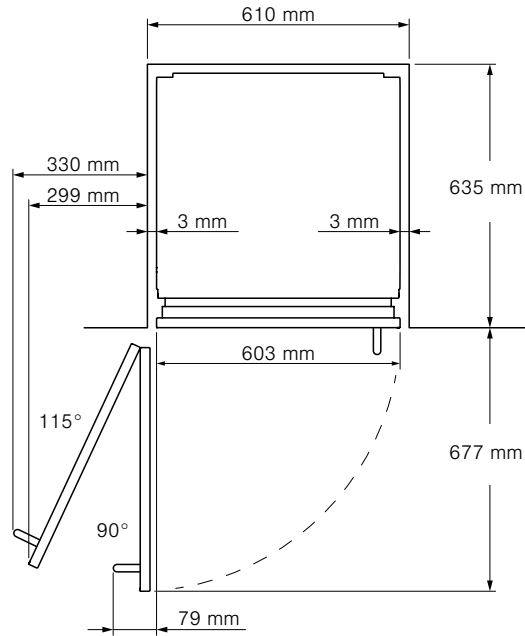
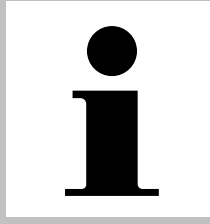
$a \geq 30 \text{ mm}$

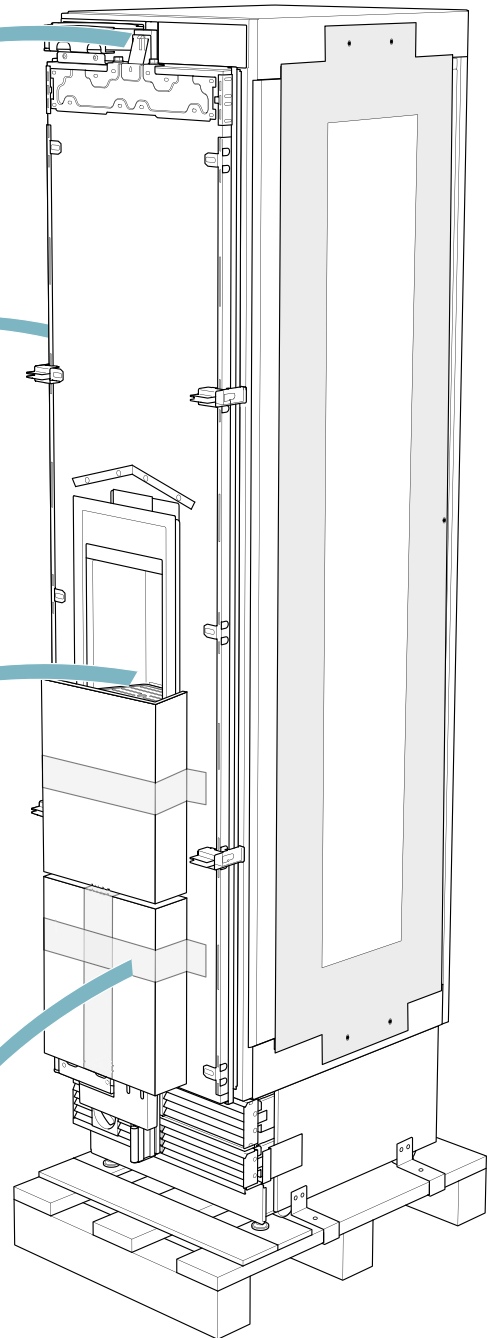
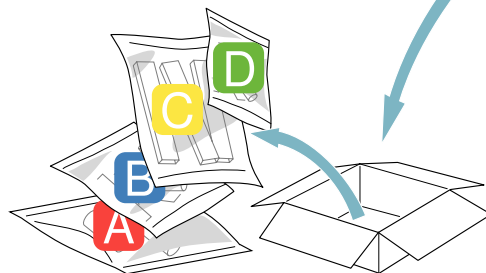
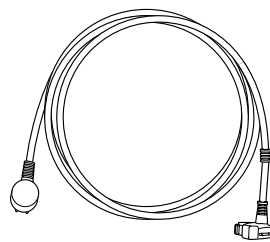
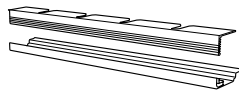
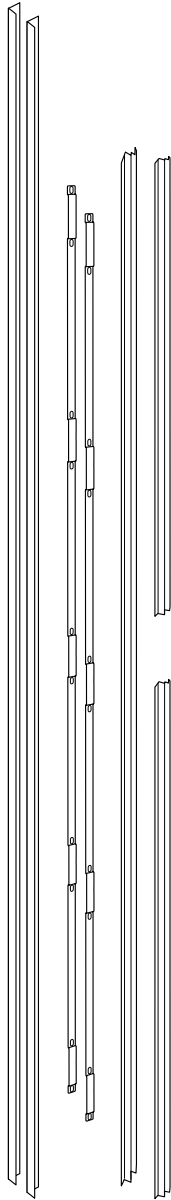
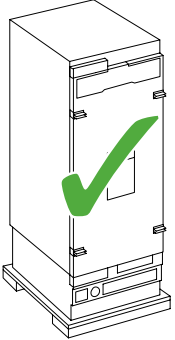
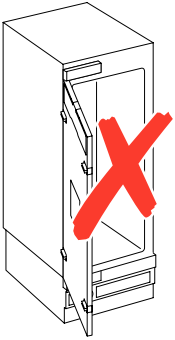
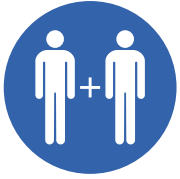
$16 \text{ mm} \leq b < 160 \text{ mm}$

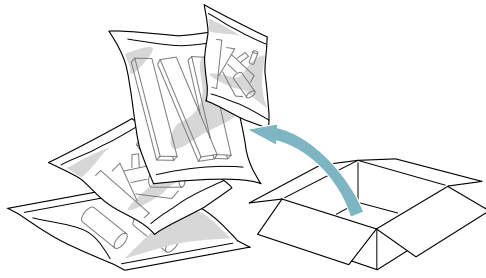
$b \geq 160 \text{ mm}$




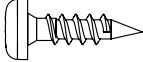


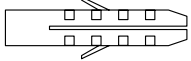


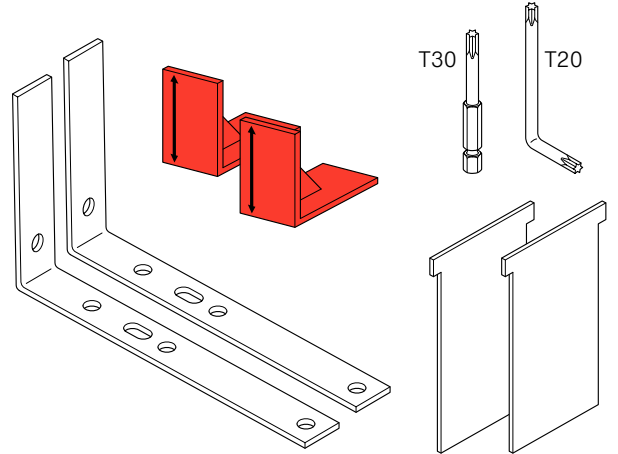



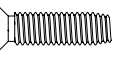


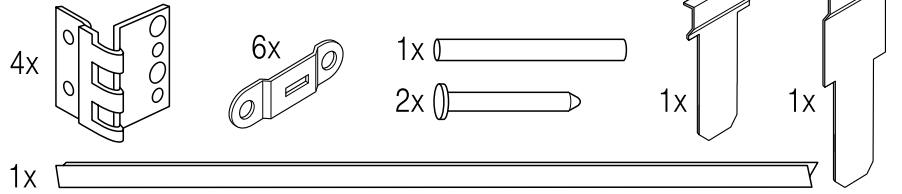


A



4x15			6x
5x60			4x
6x31			4x







M5x16			28x
-------	---	---	-----

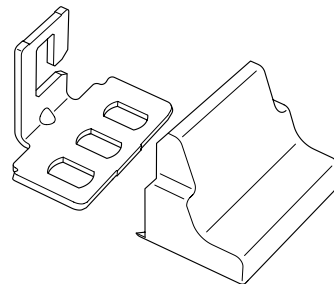


B

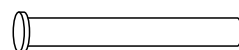
4x15			8x
------	---	---	----

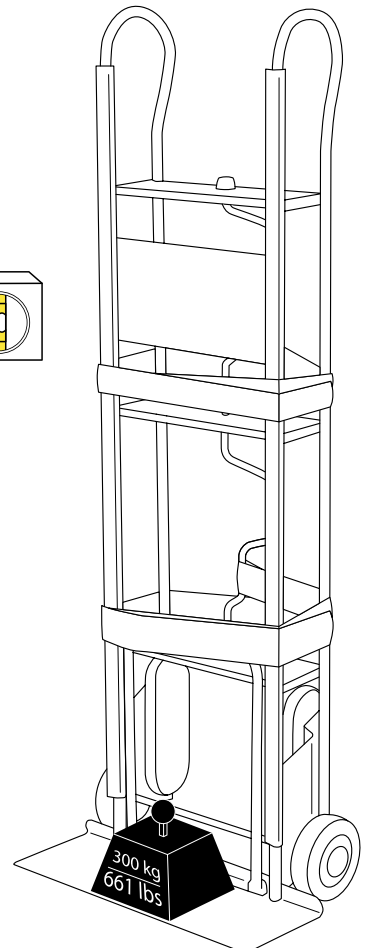
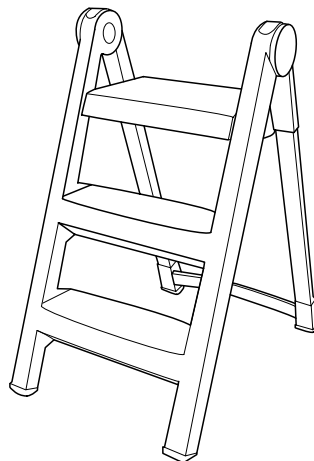
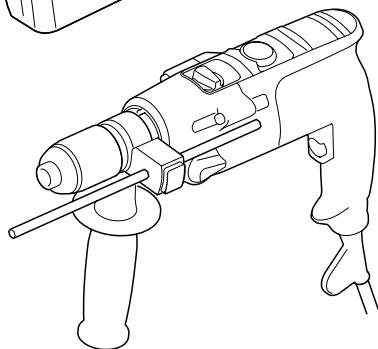
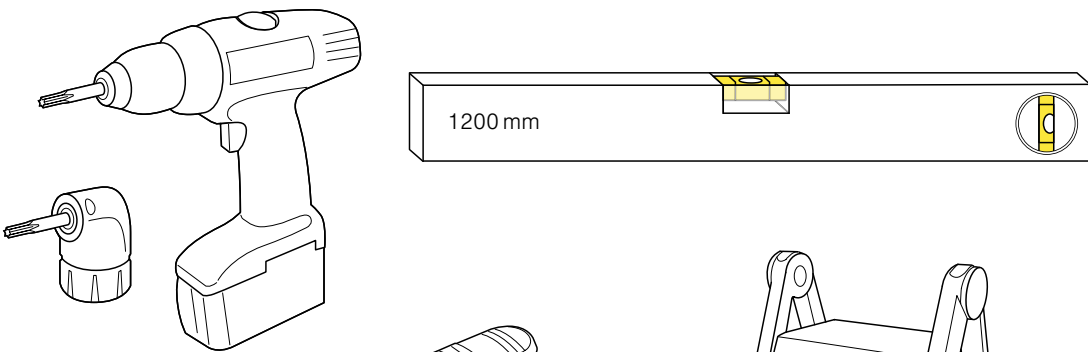
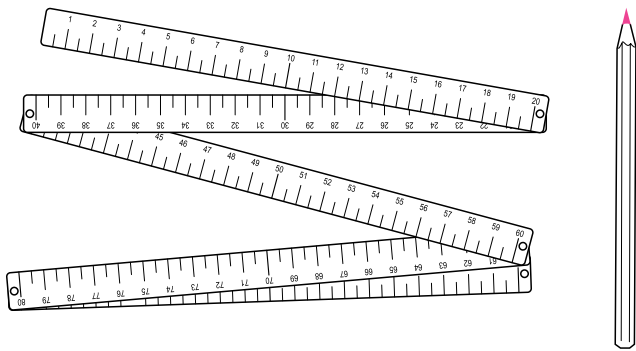
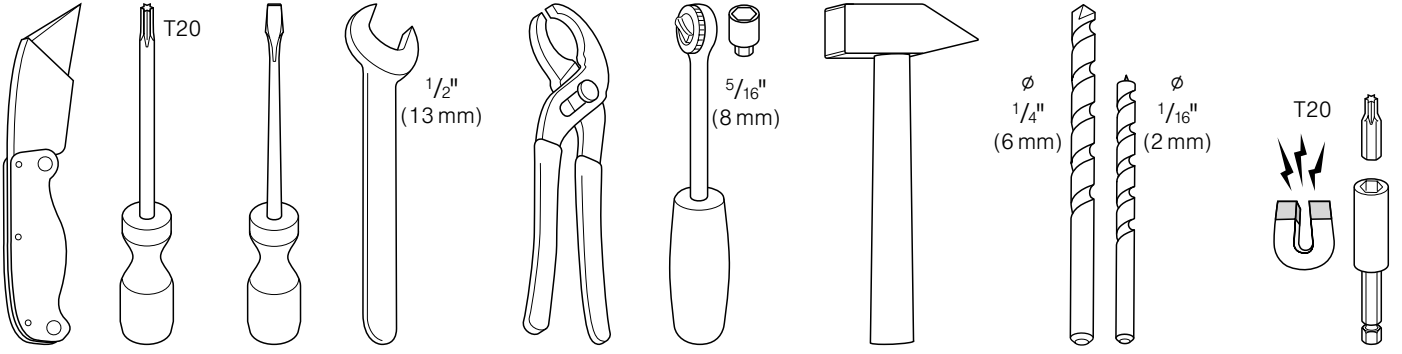
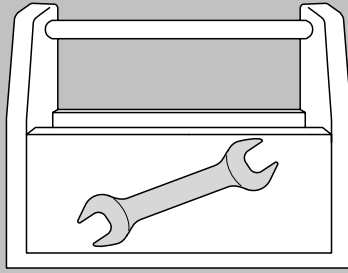
C

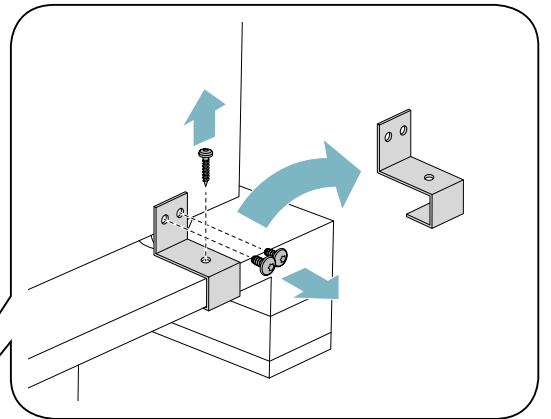
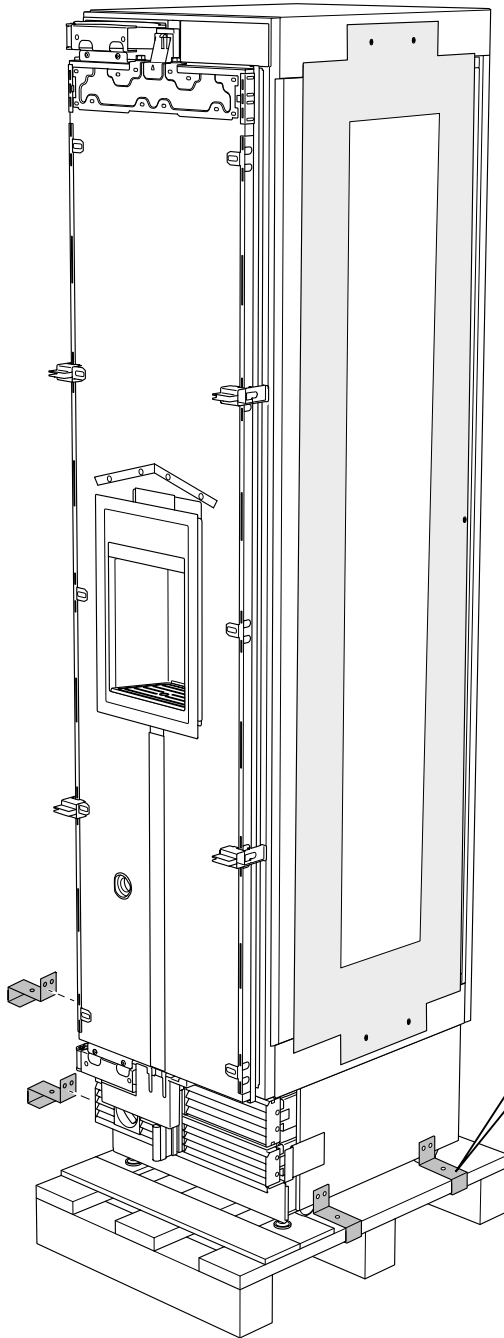
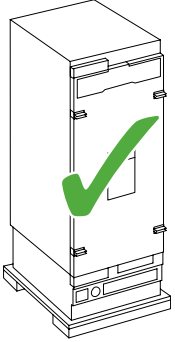
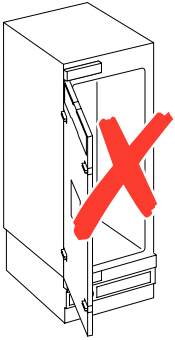
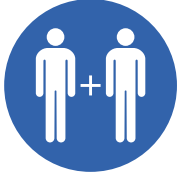
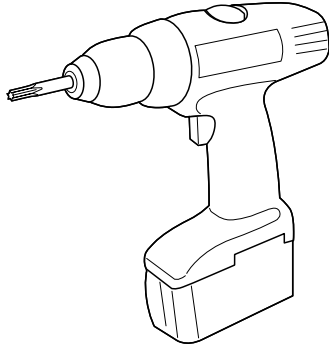
4x15			32x
4x15			2x

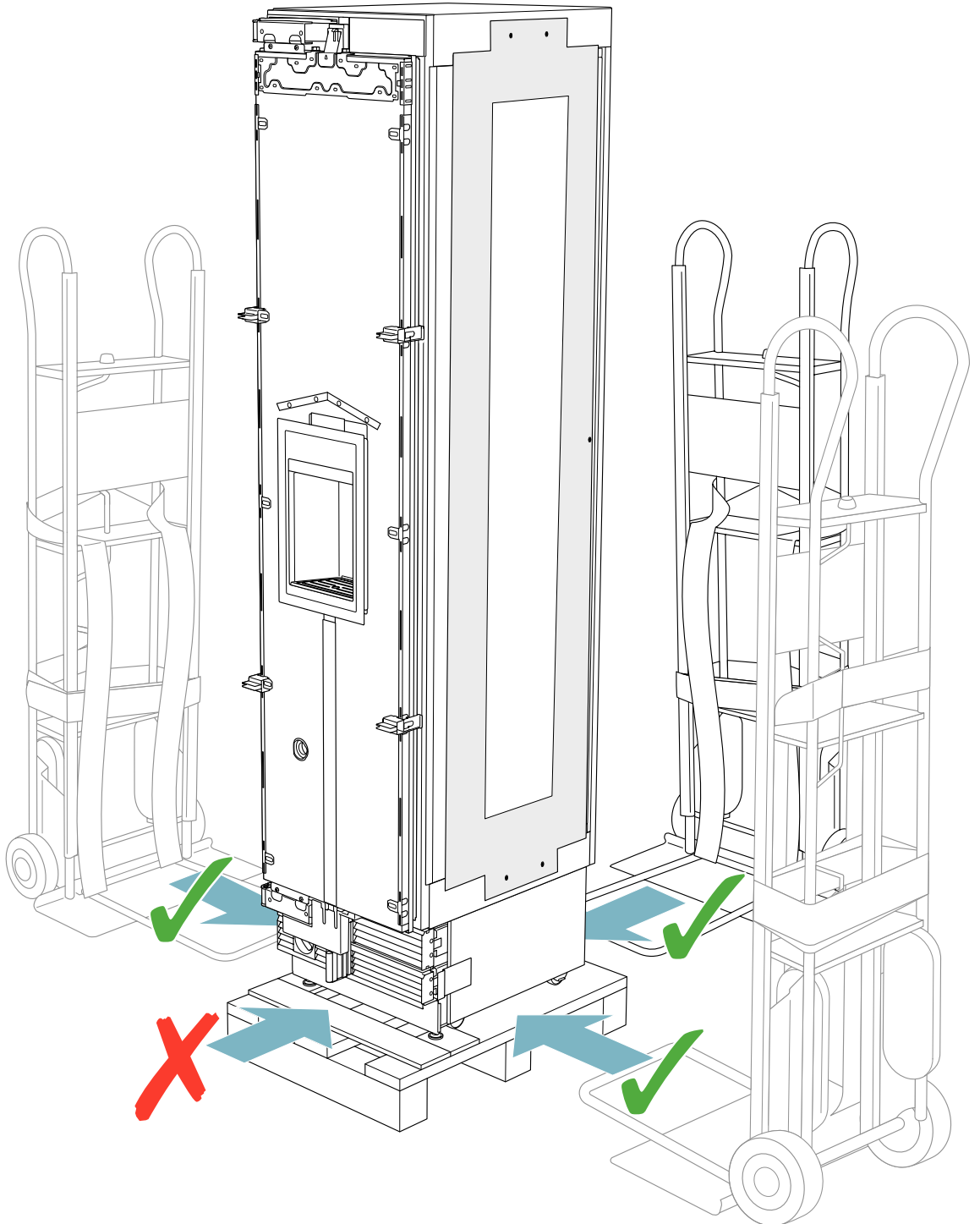
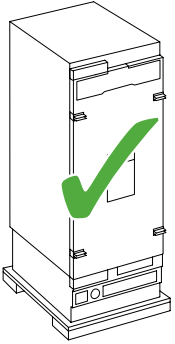
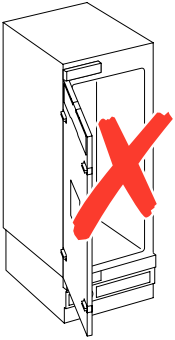
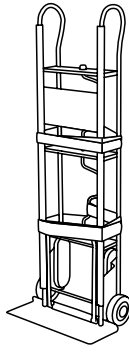
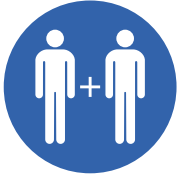


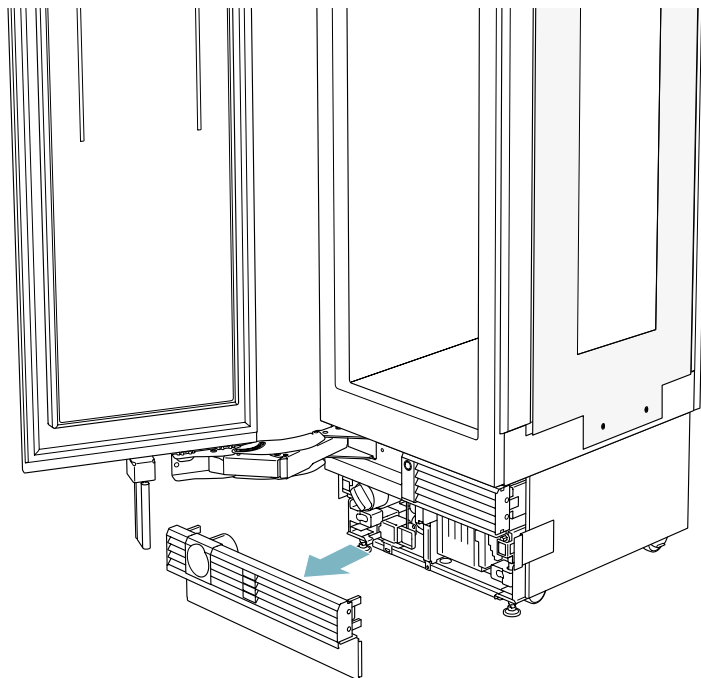
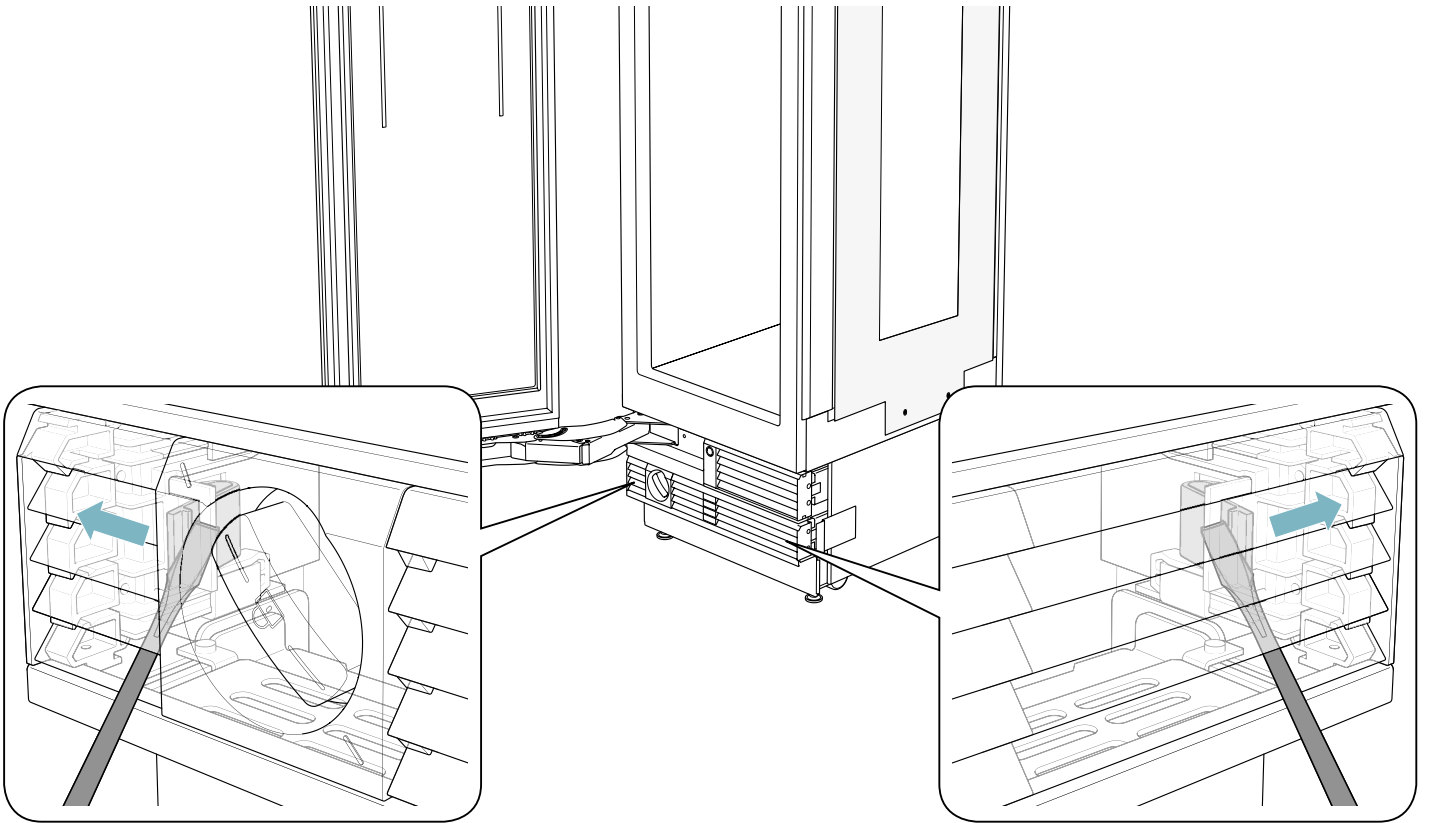
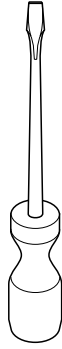
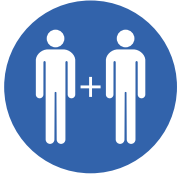
D











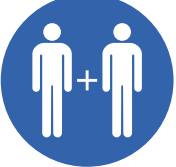
A



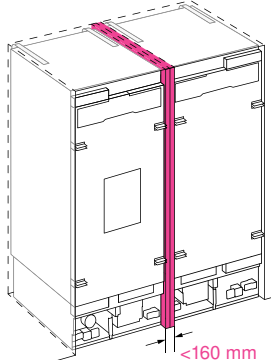
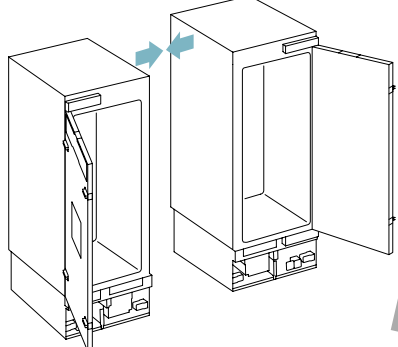
B

C

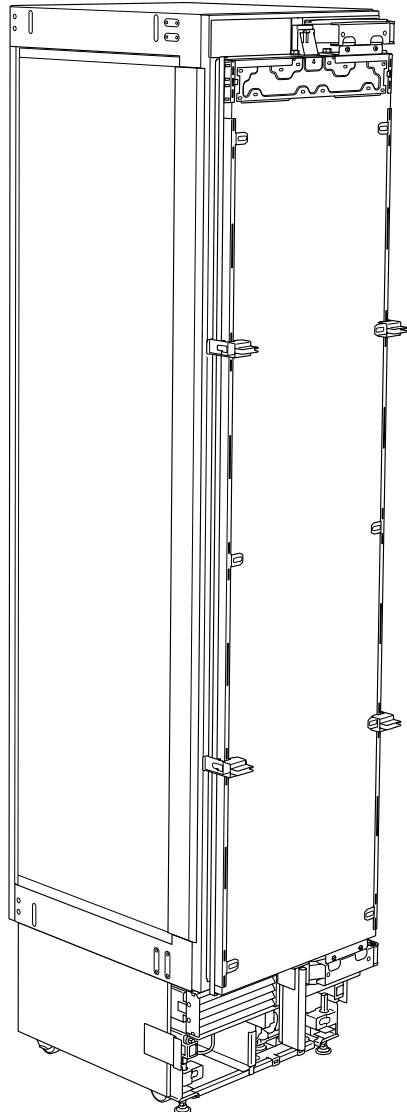
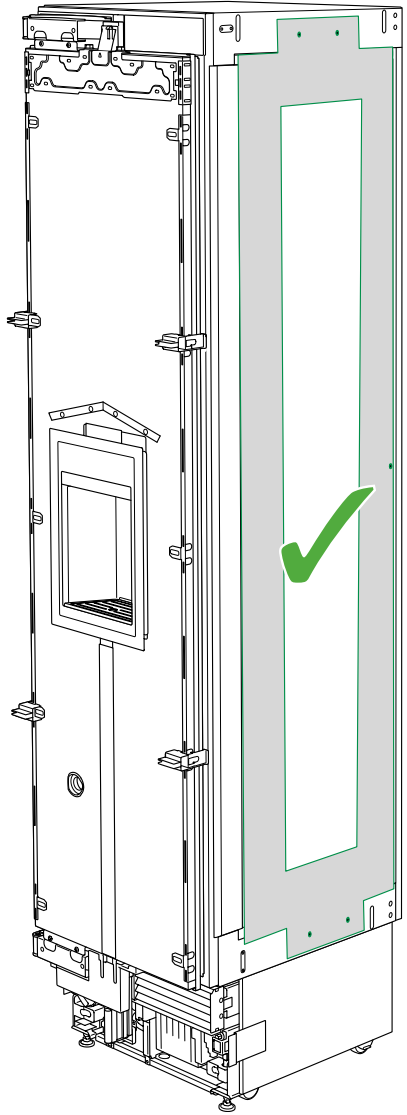
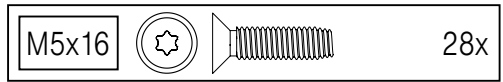
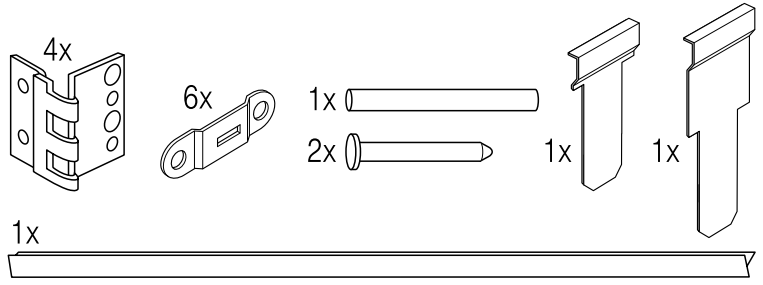
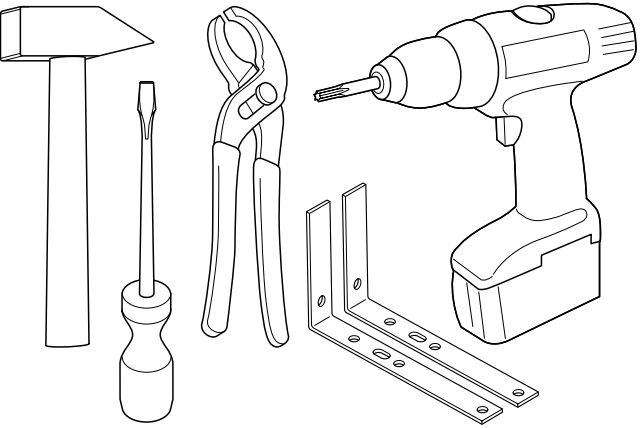
D





14

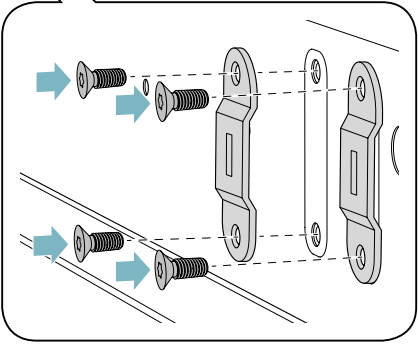
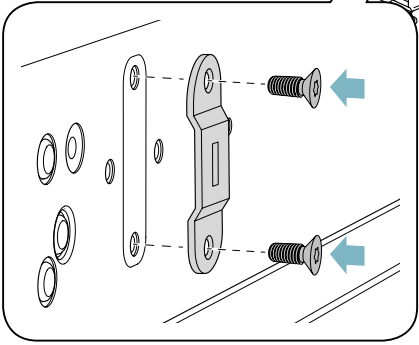
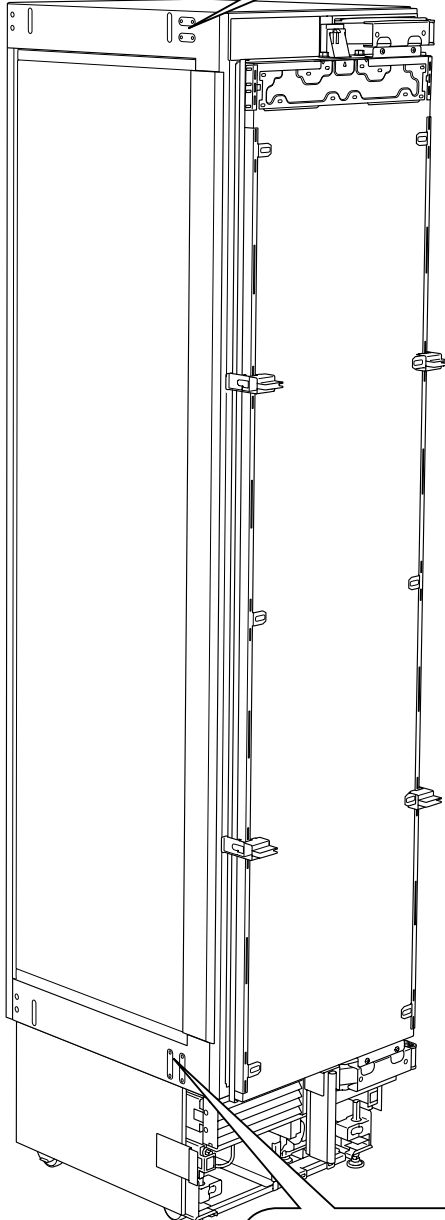
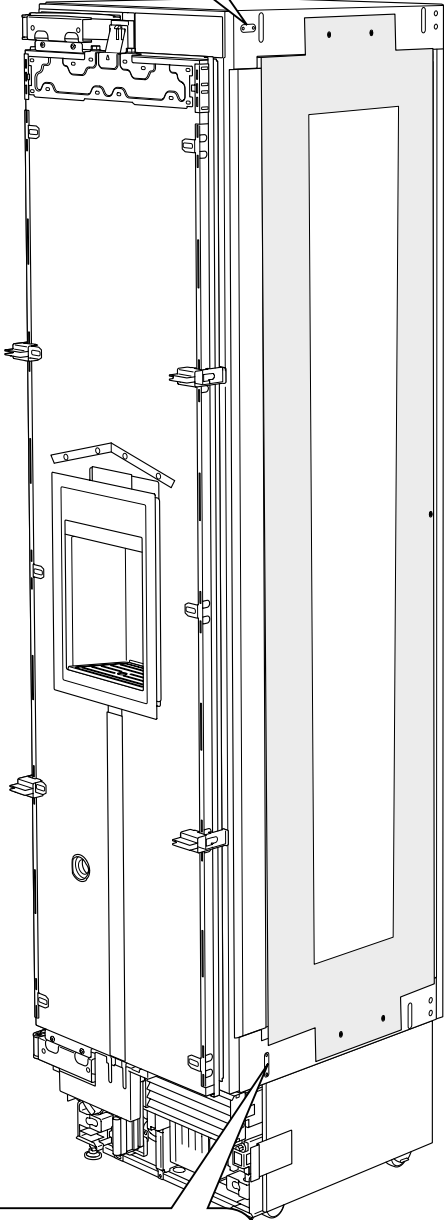
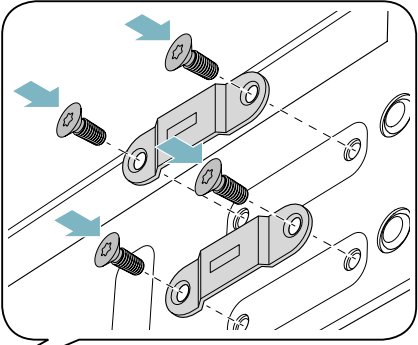
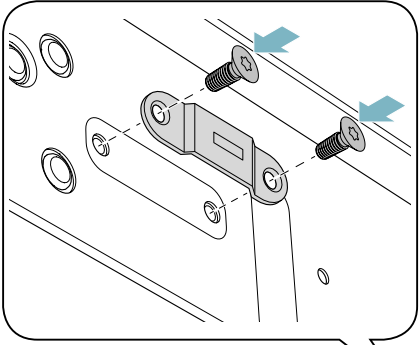


→20



M5x16   12x

A
B
C
D





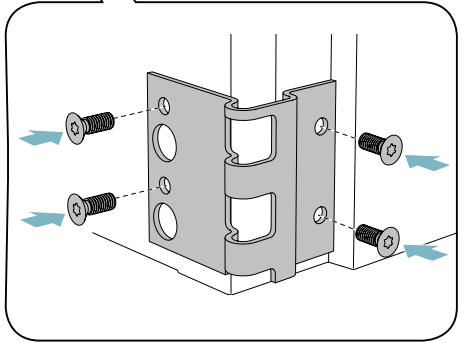
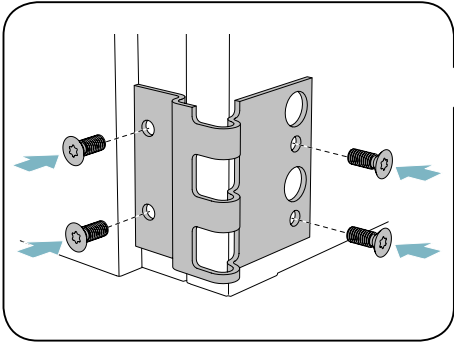
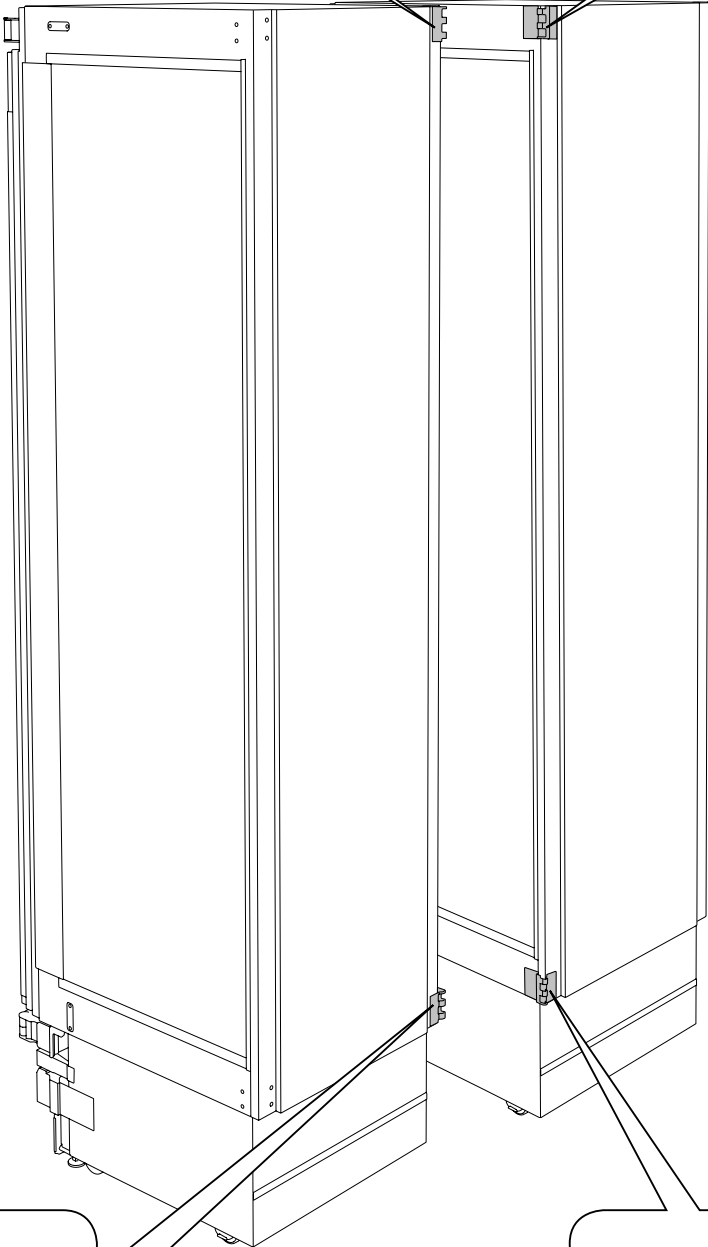
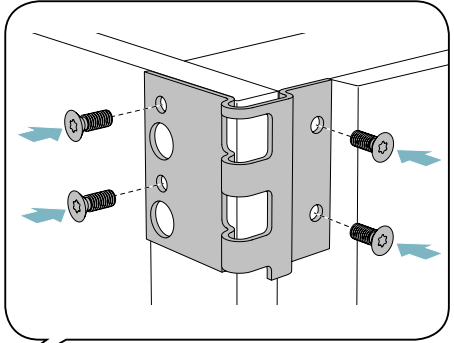
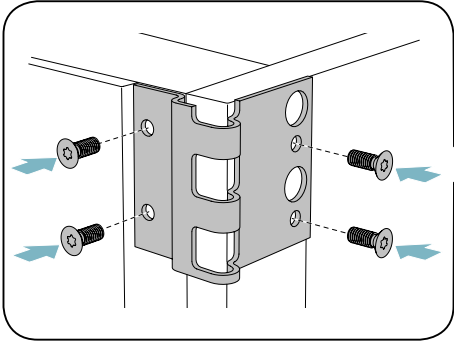
A

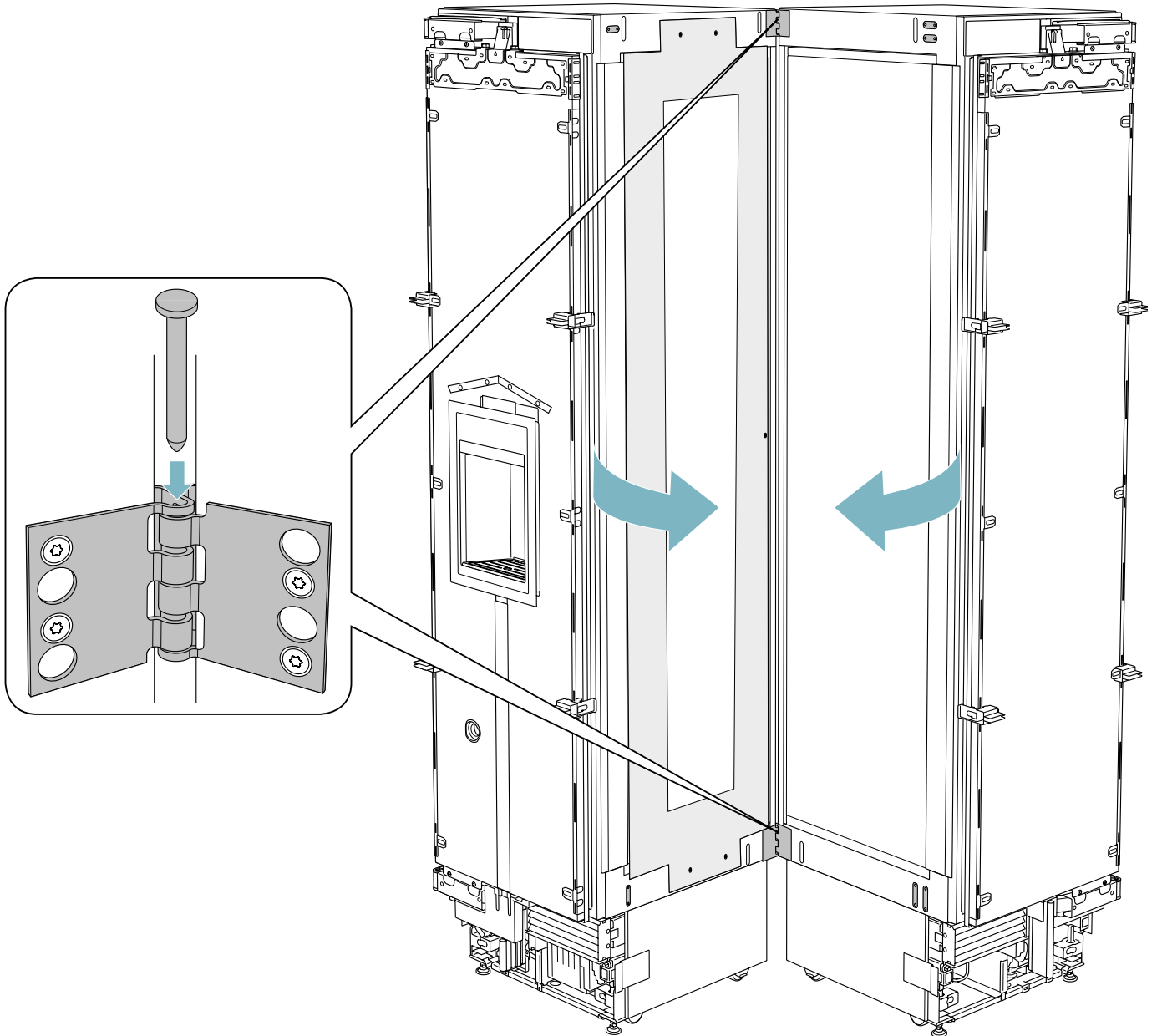
B

C

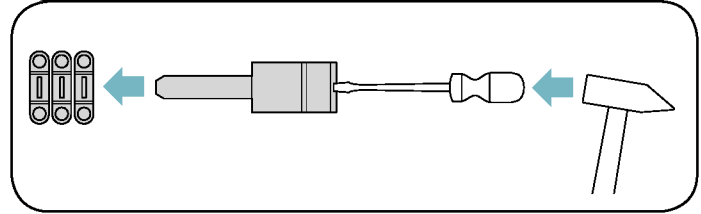
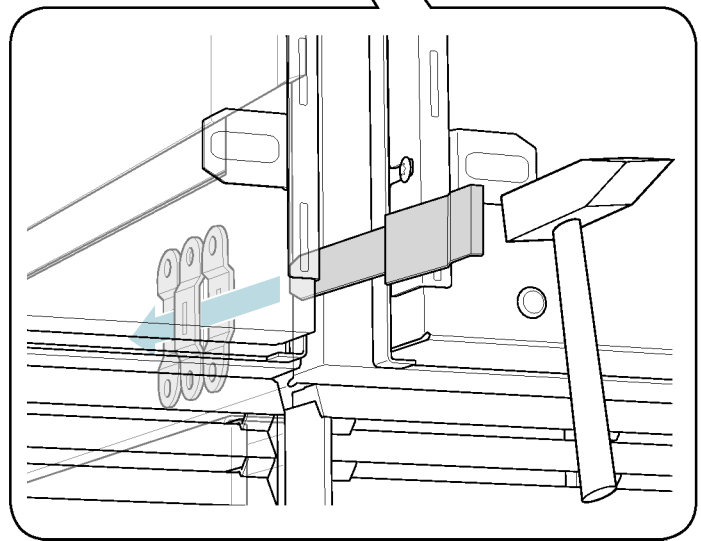
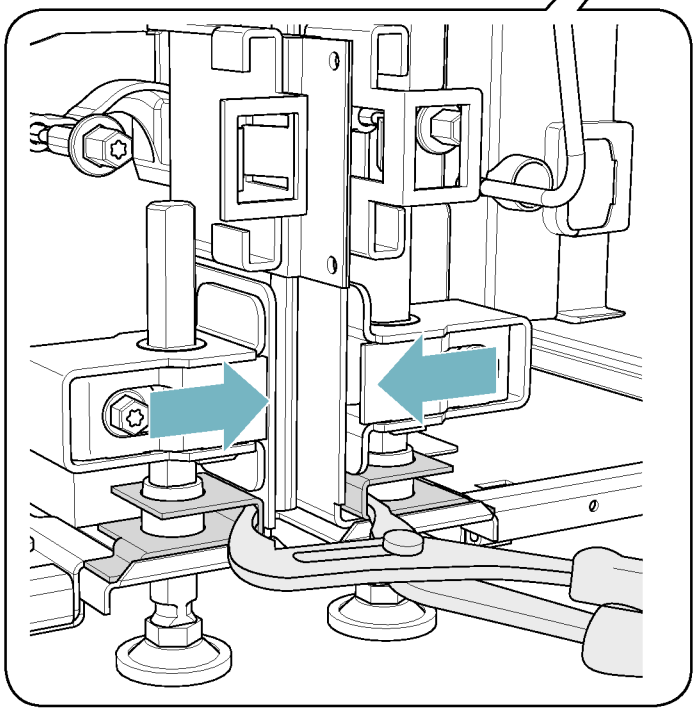
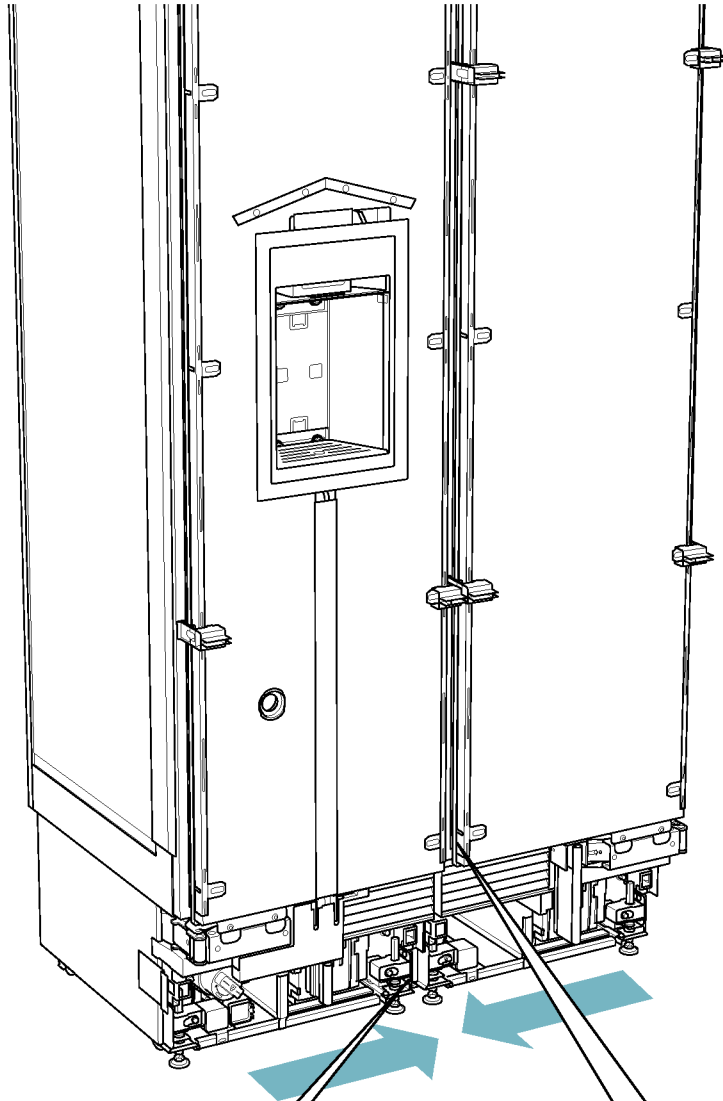
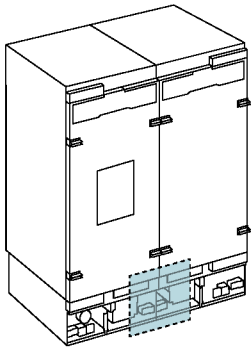
D

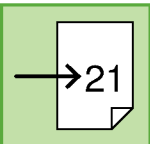
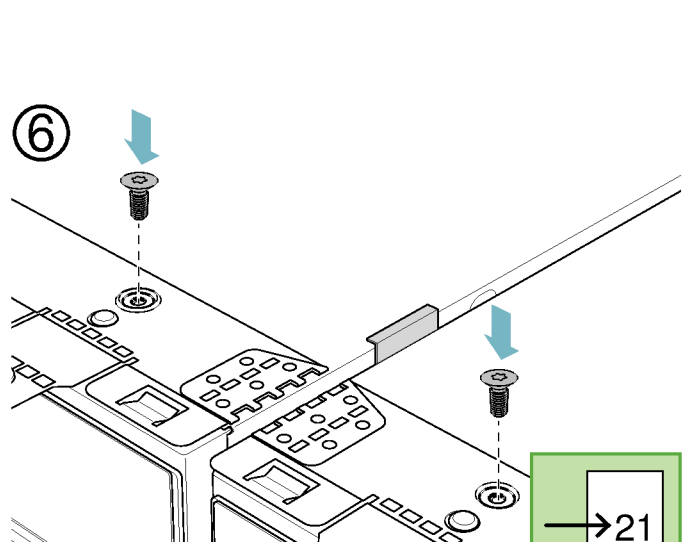
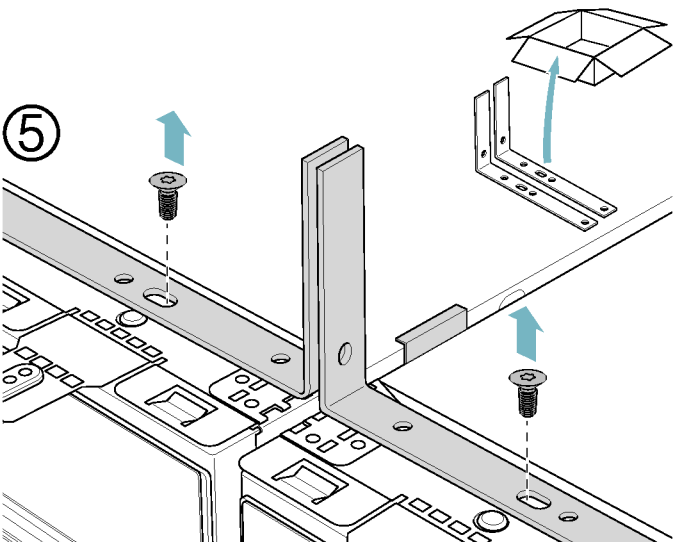
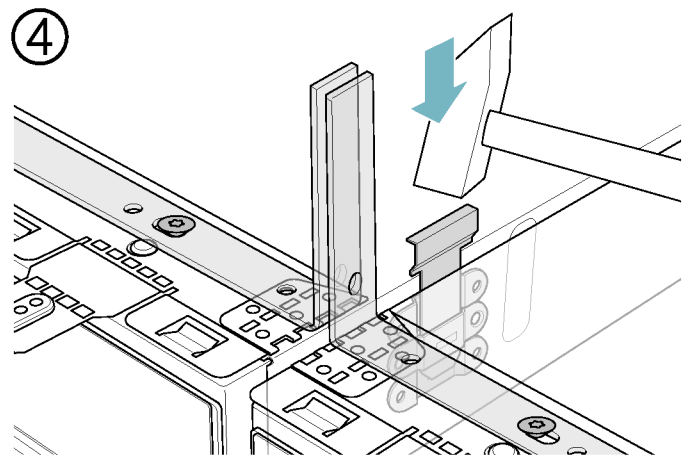
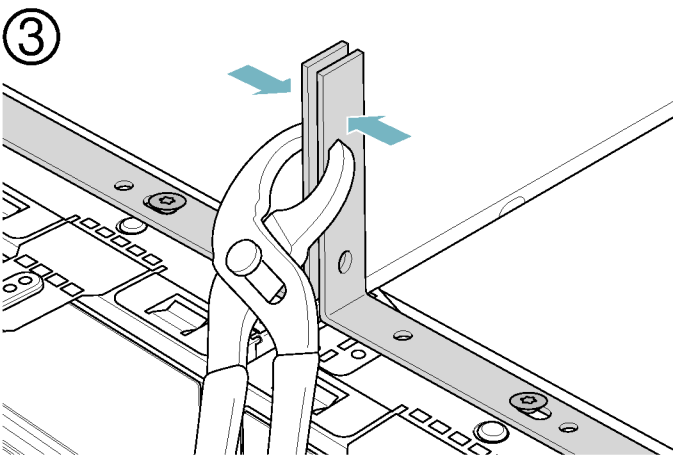
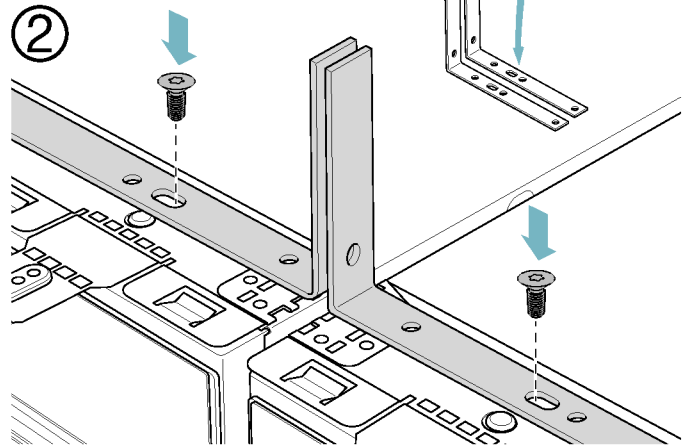
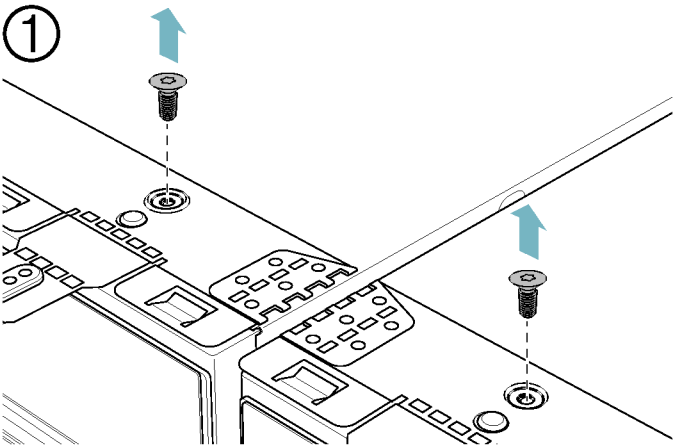
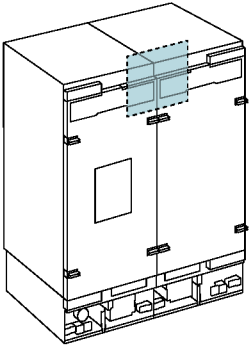
M5x16   16x



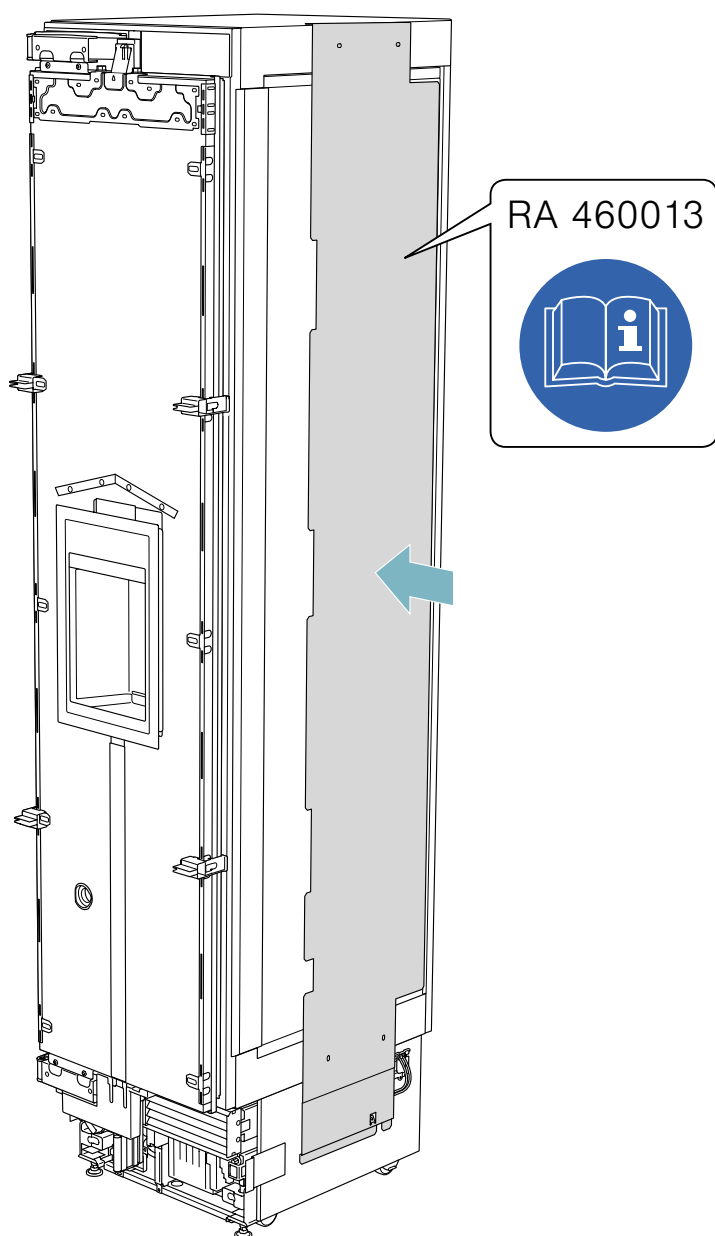
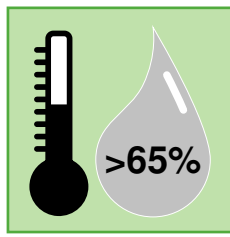
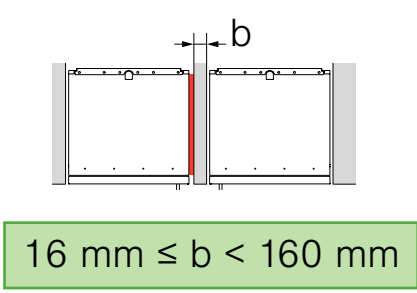
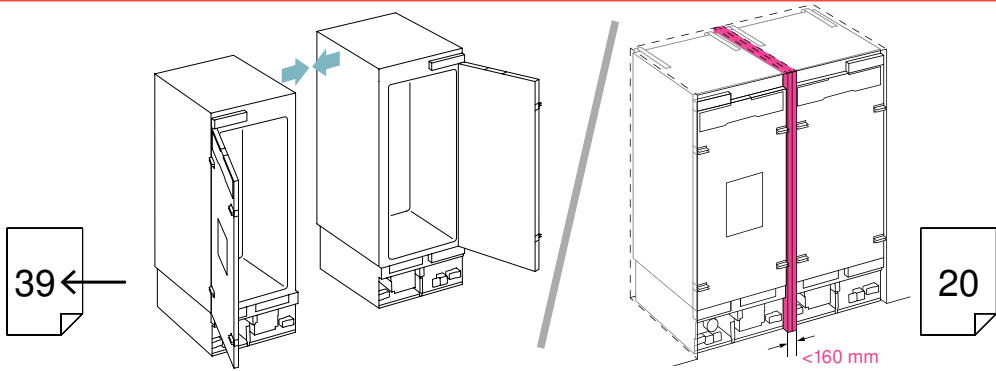


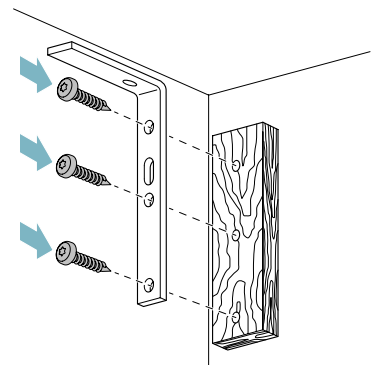
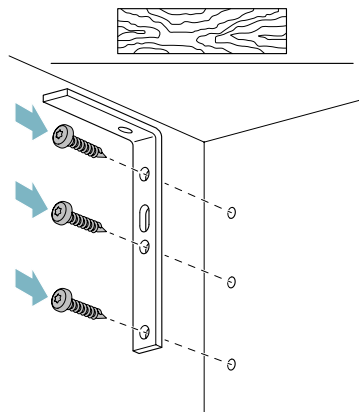
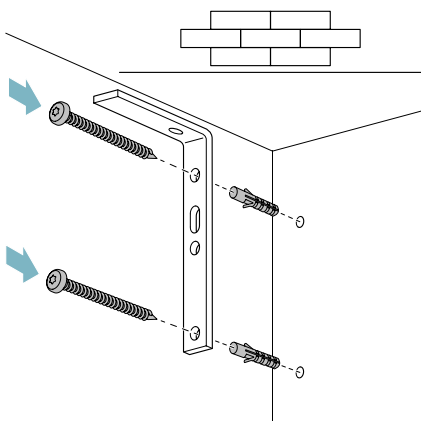
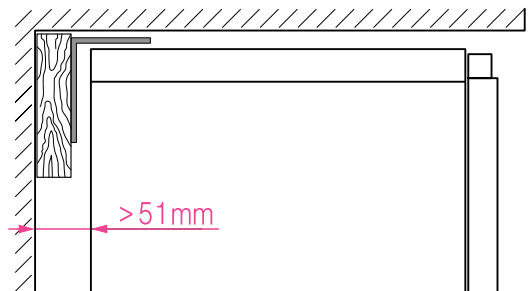
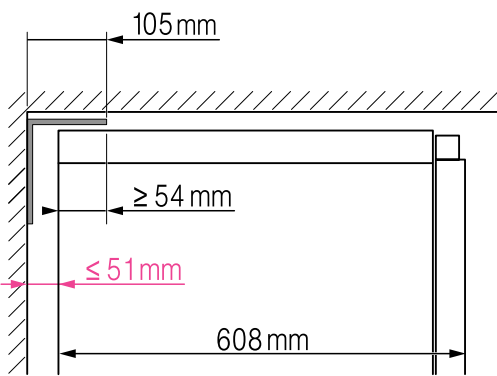
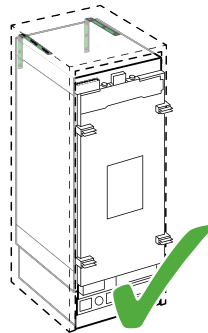
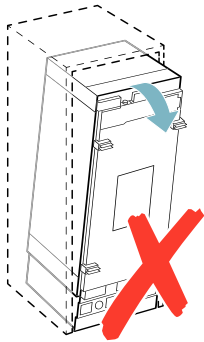
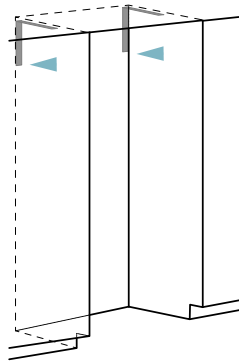
A
B
C
D





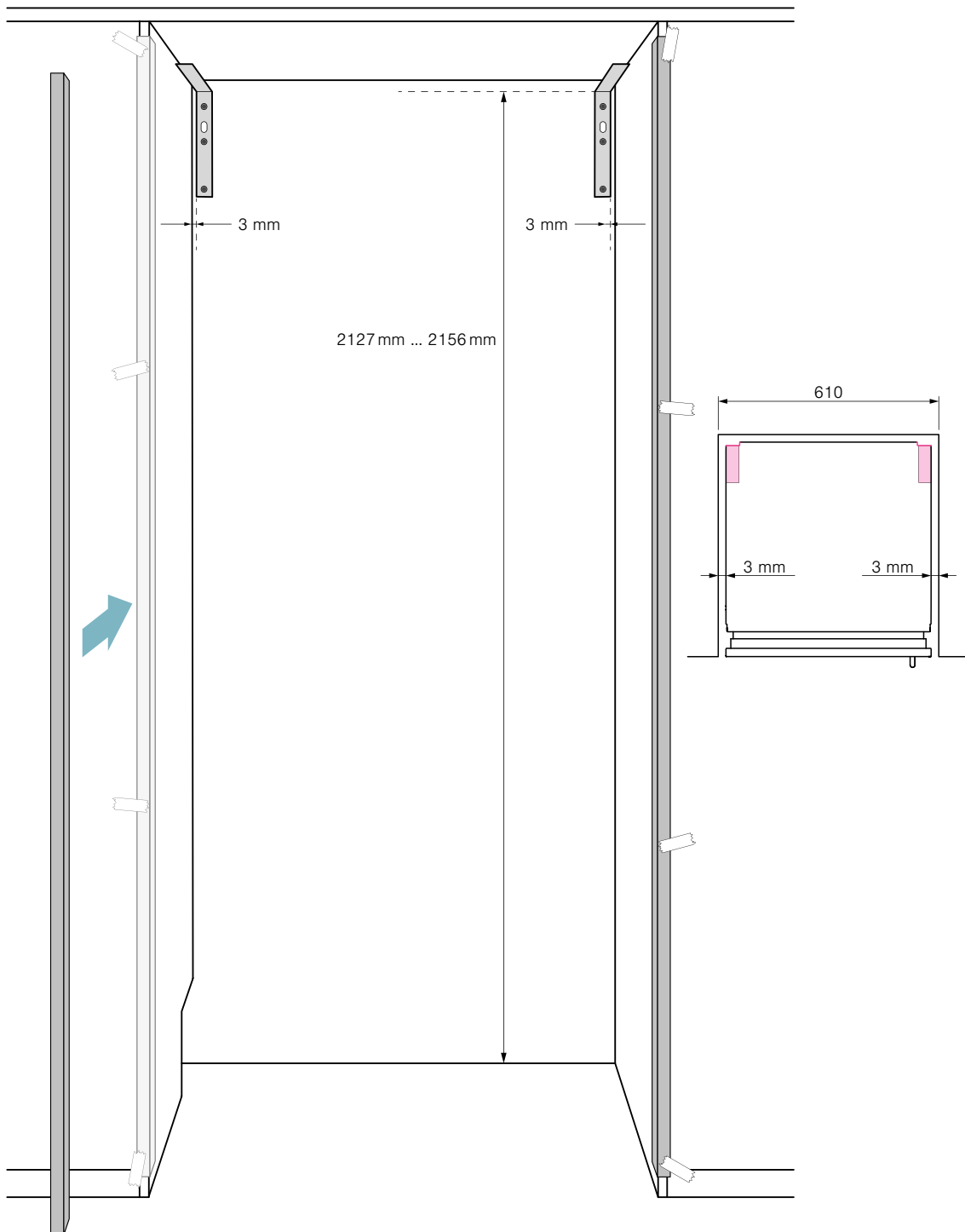
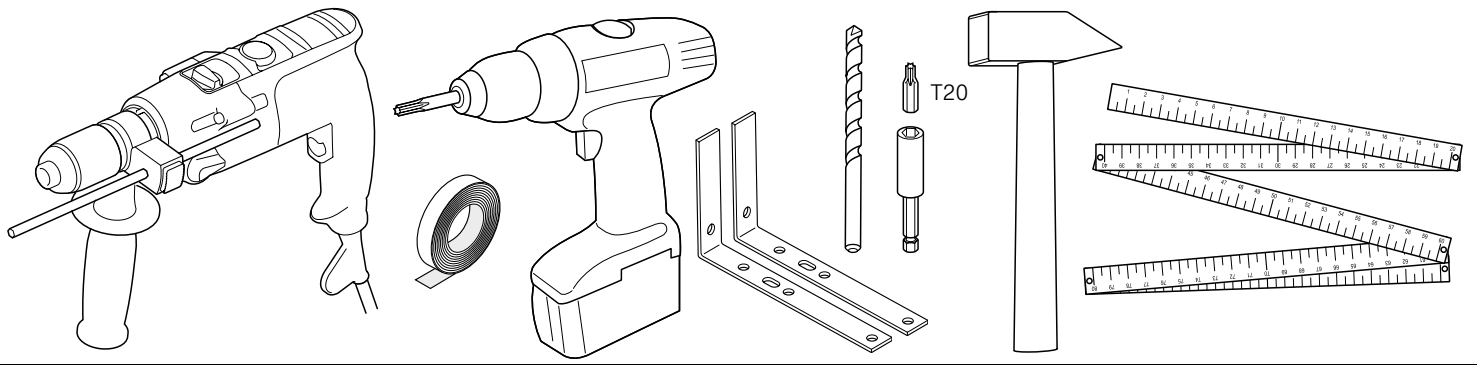
A
B
C
D

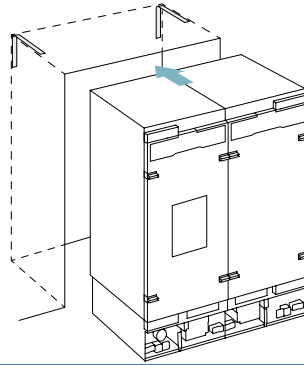
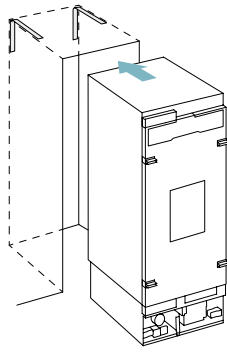
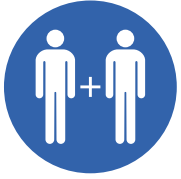




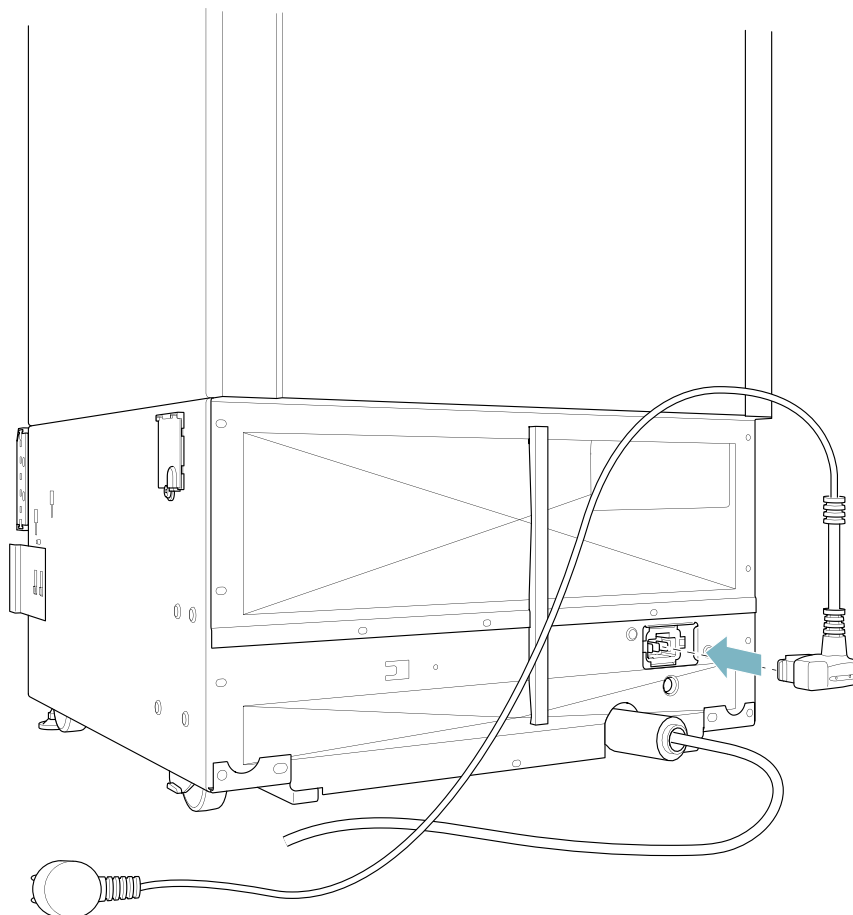
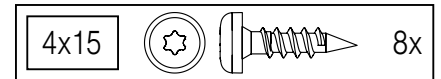
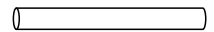
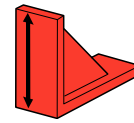
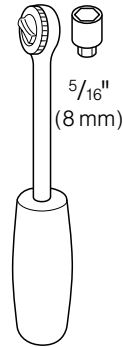
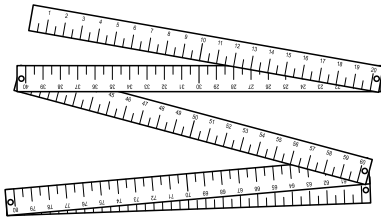
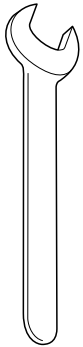
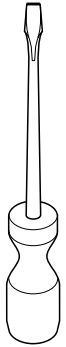
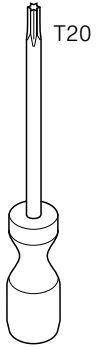
5x60			4x
6x31			4x

4x15			6x
------	--	--	----

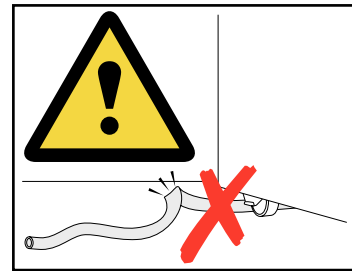
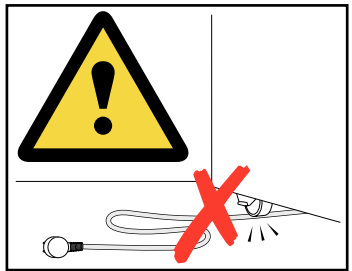
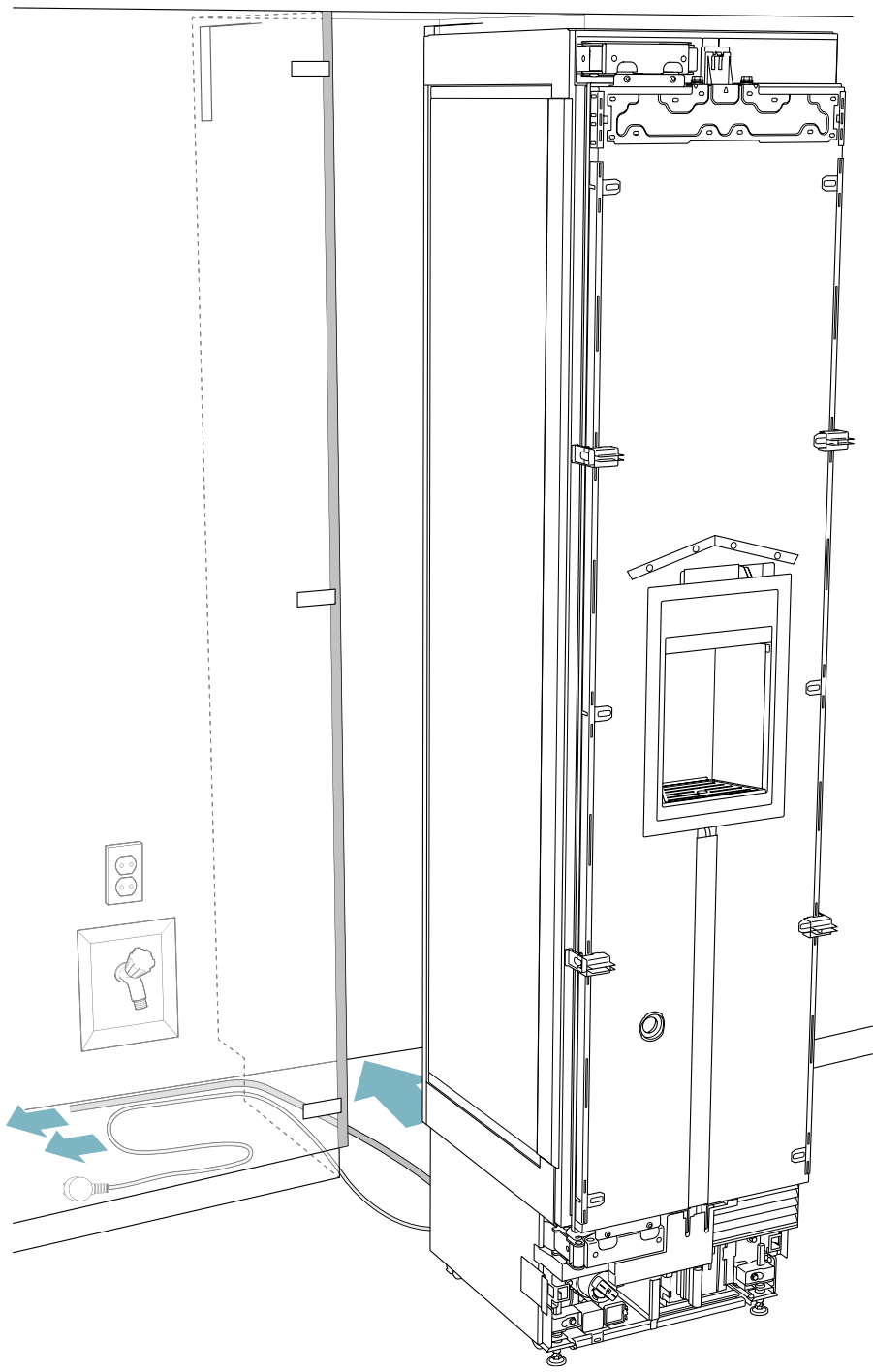


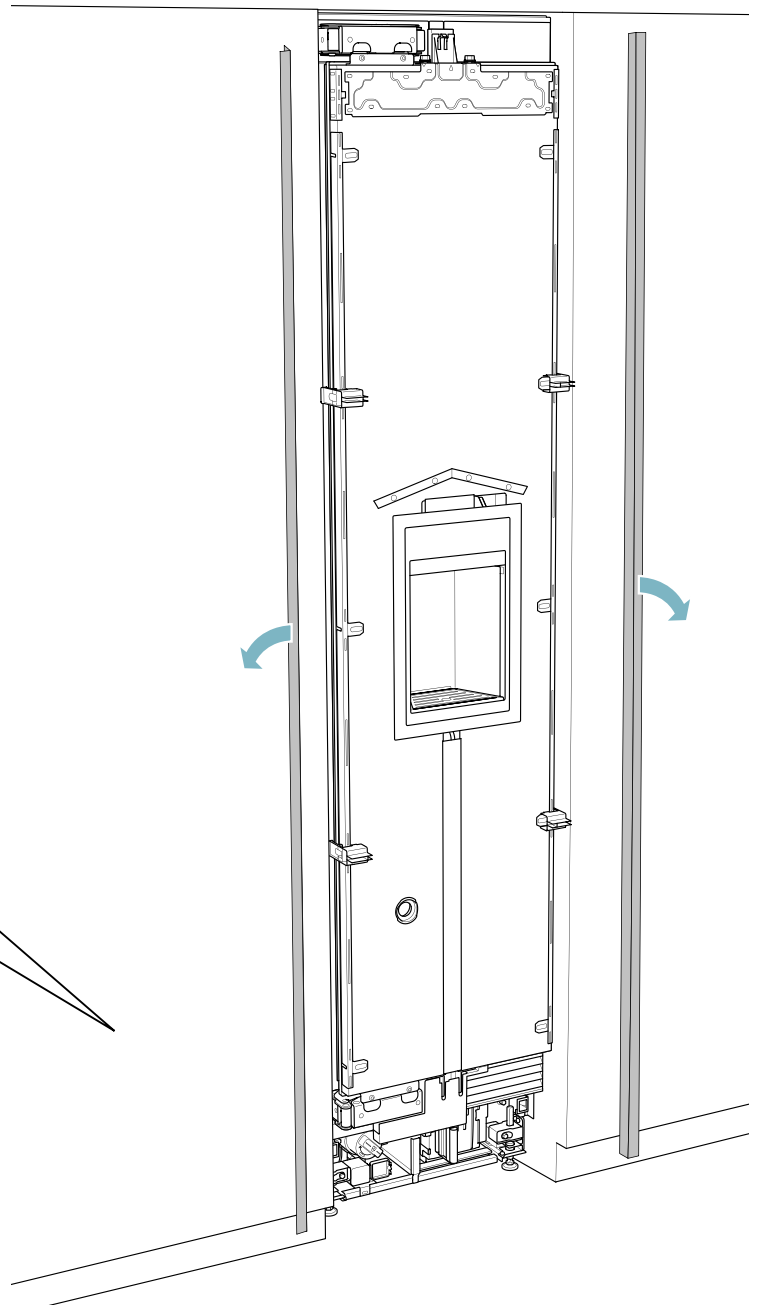
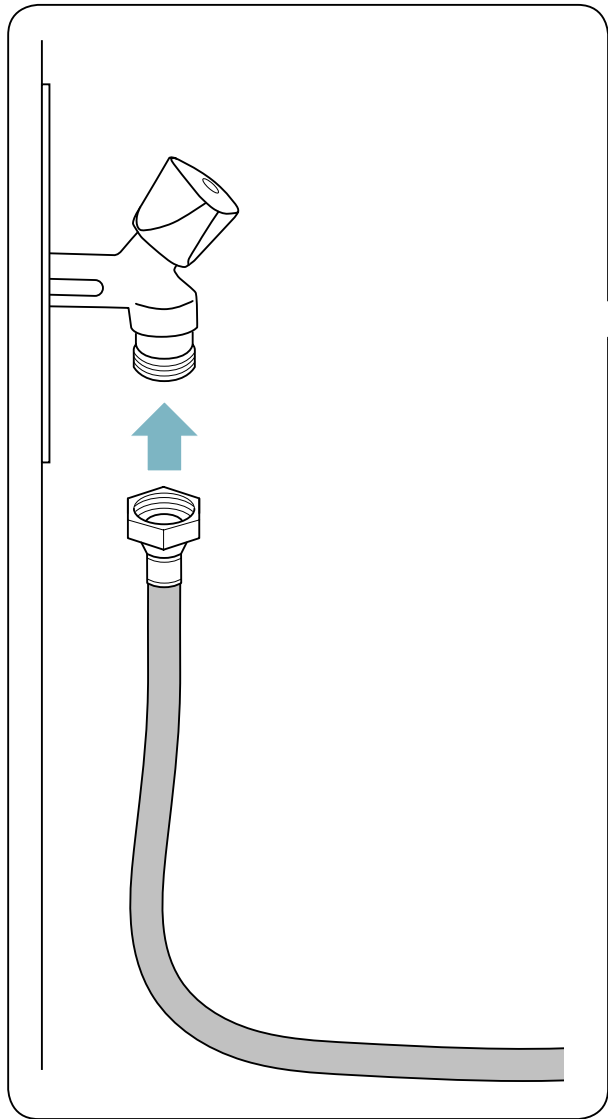


A
B
C
D

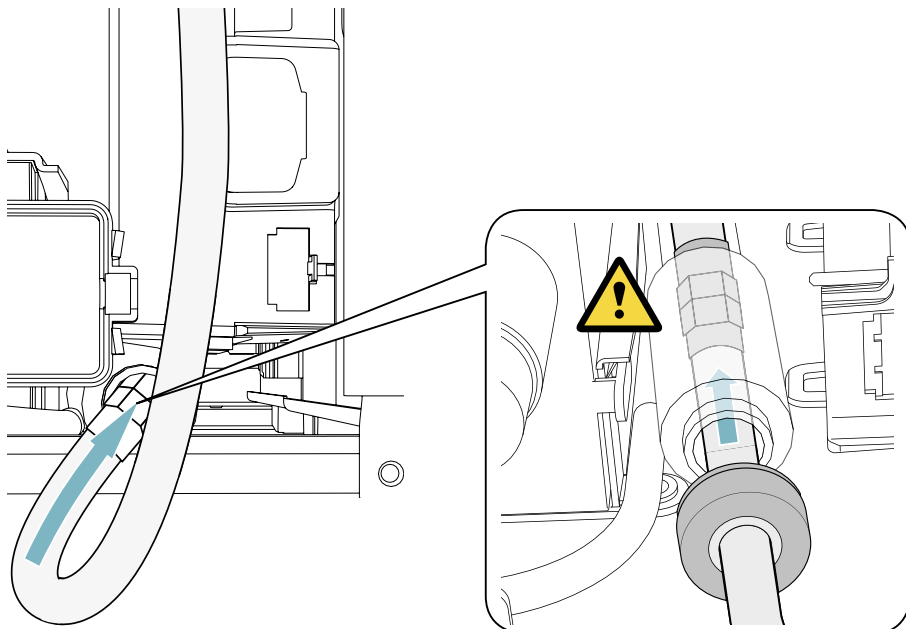
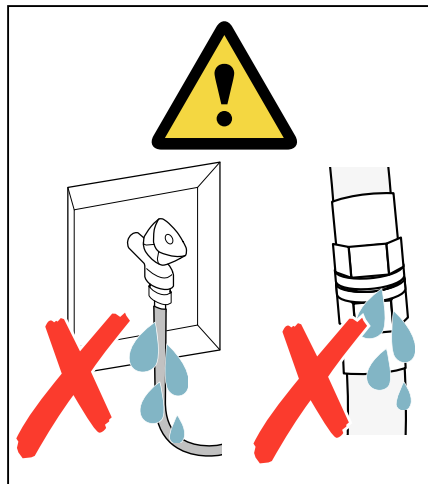
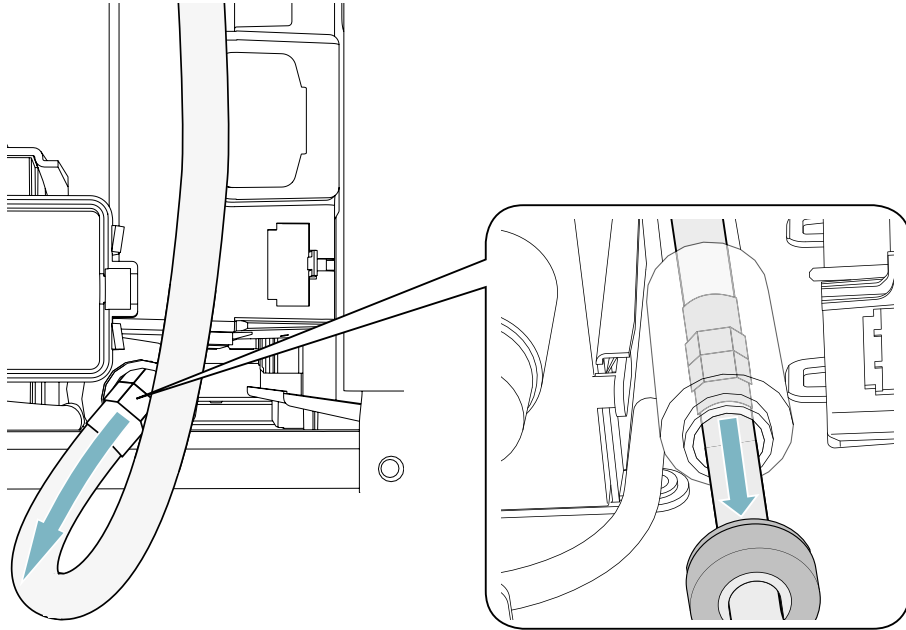
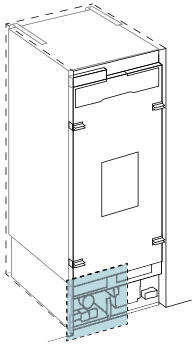


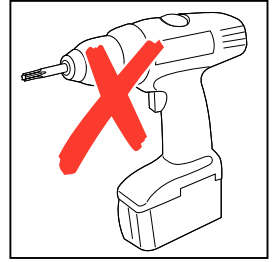
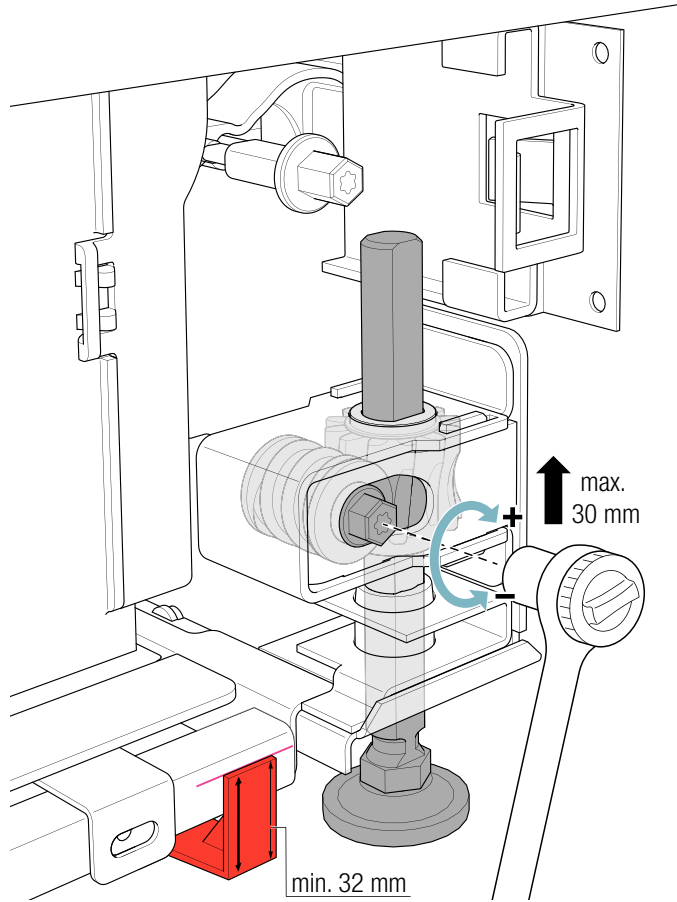
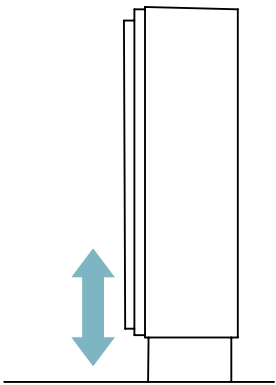
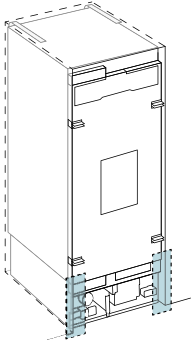
- A
- B
- C
- D



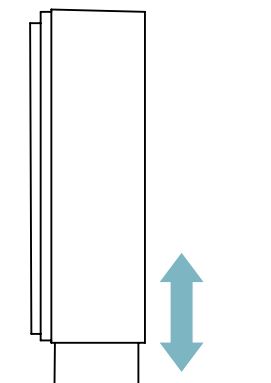
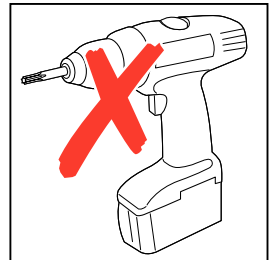
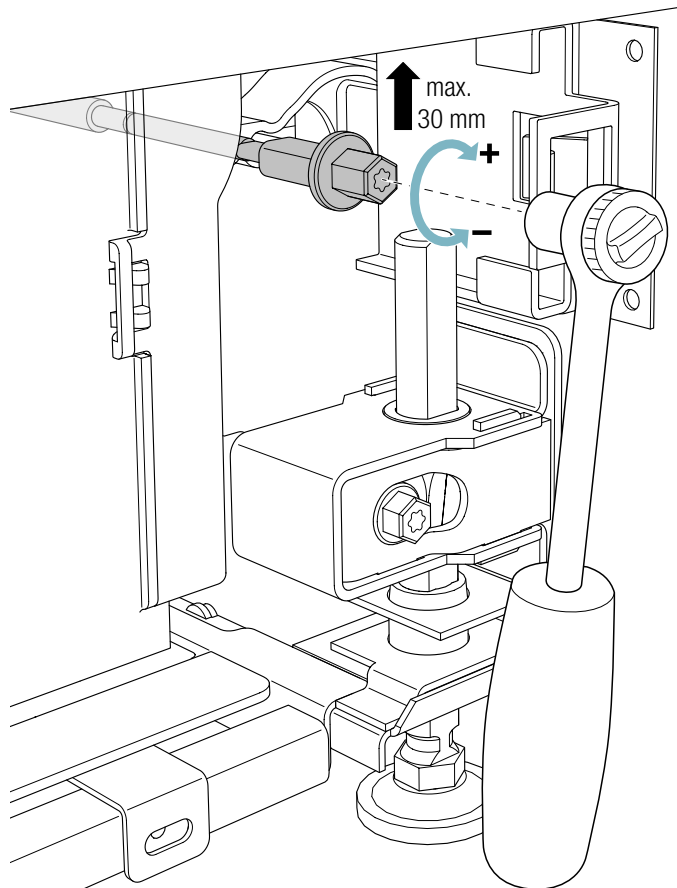


A
B
C
D

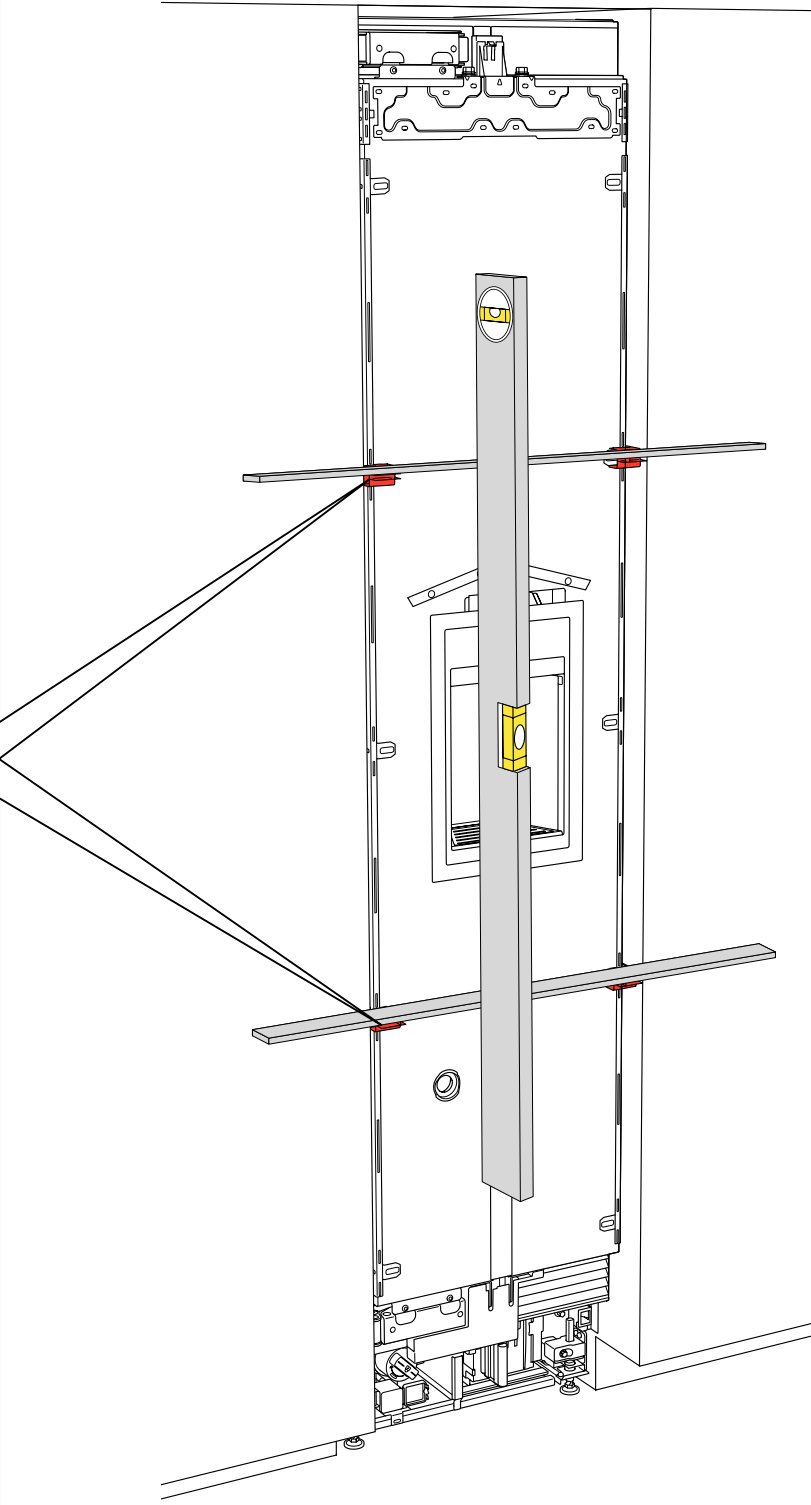
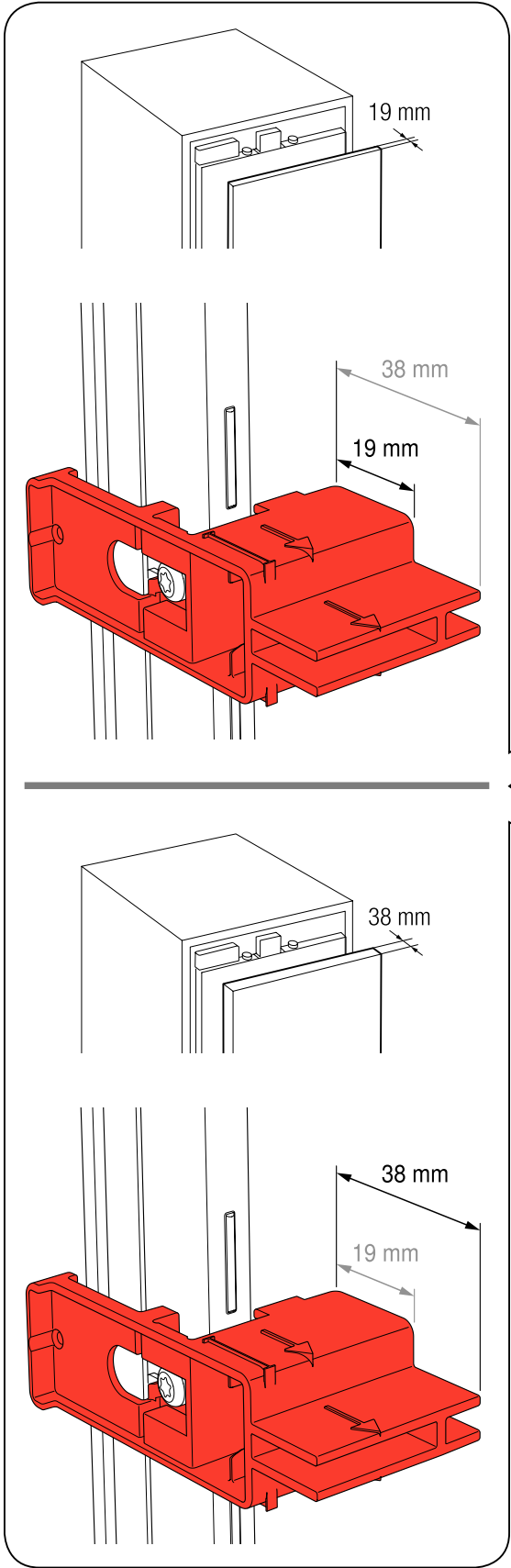






- A
- B
- C
- D

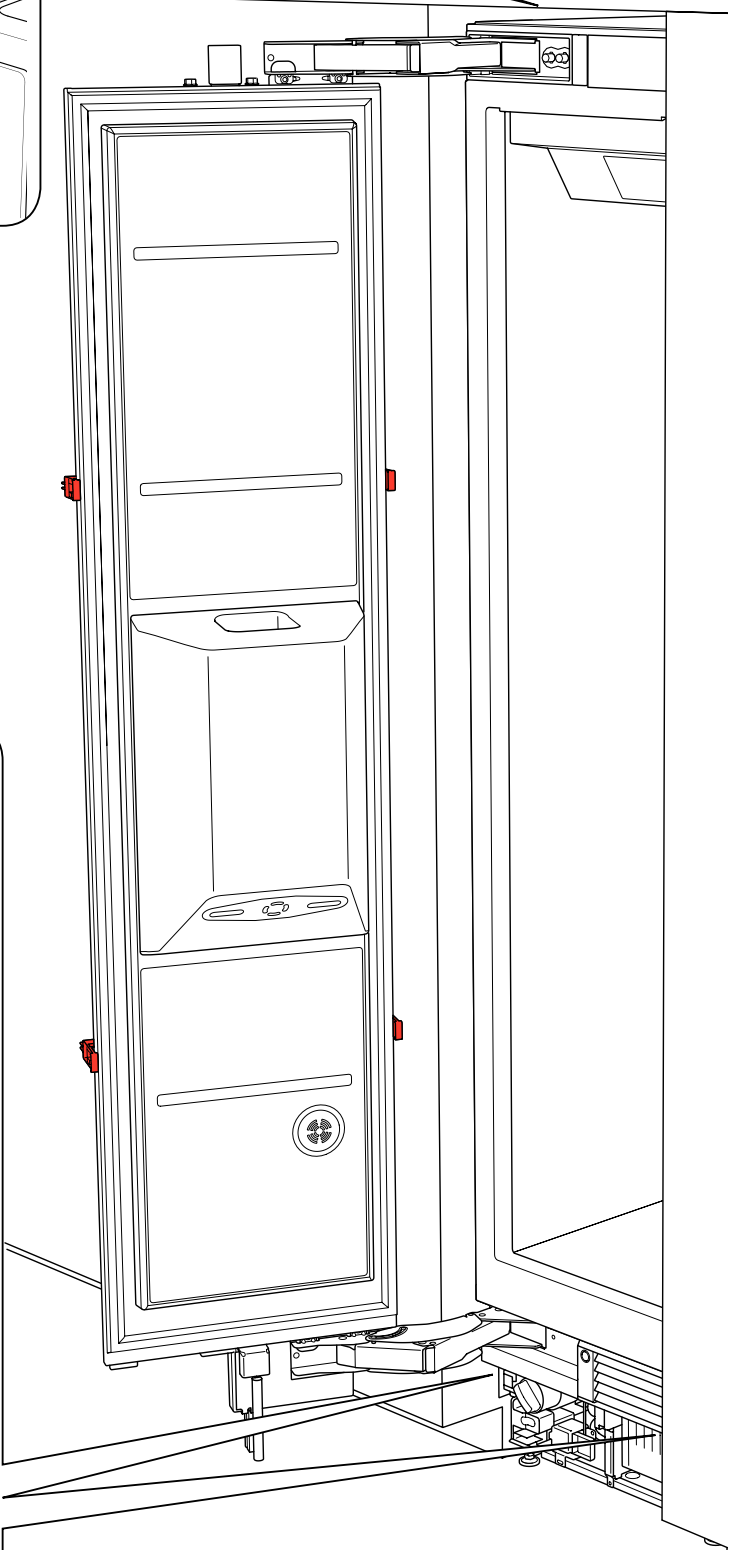
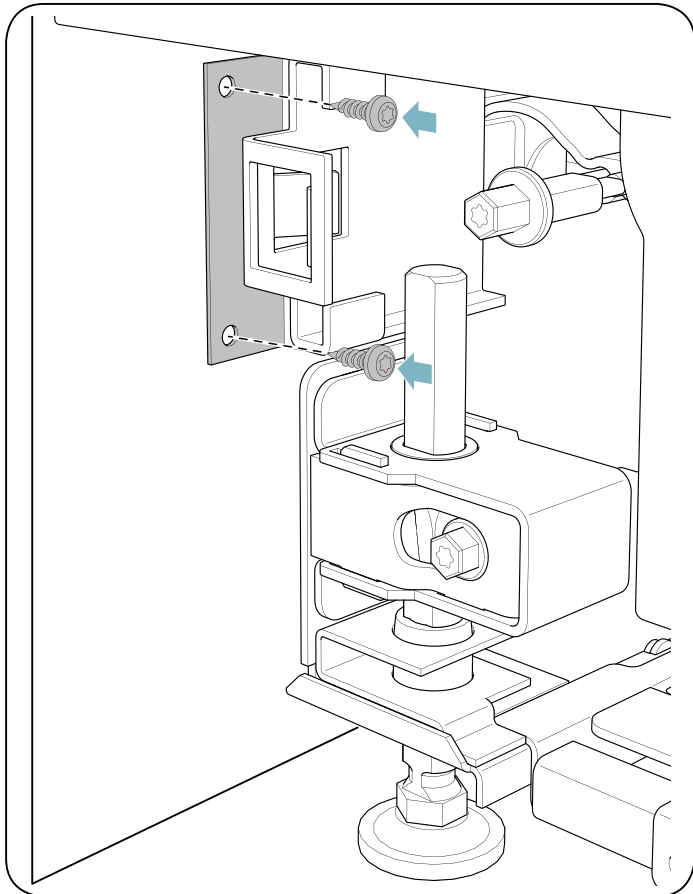
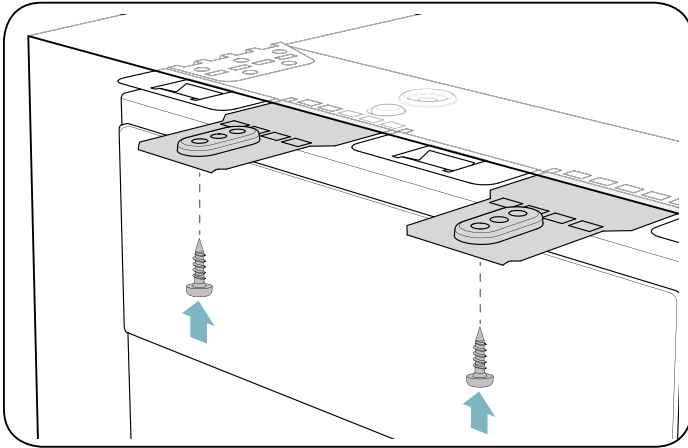


A
B
C
D

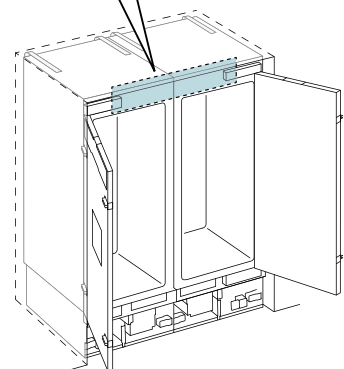
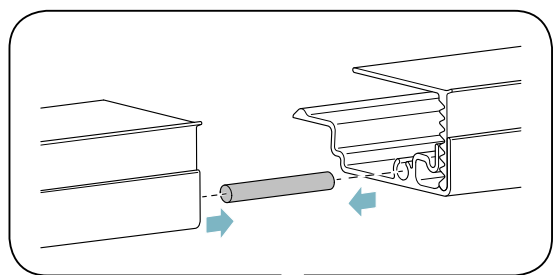
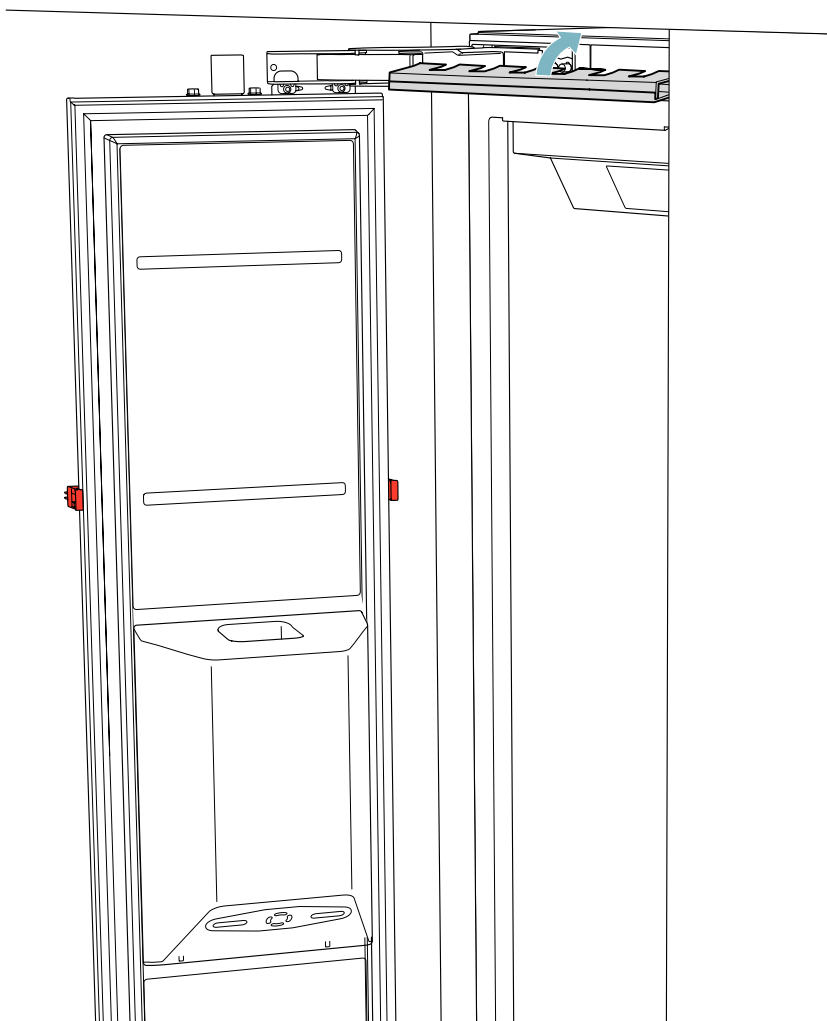
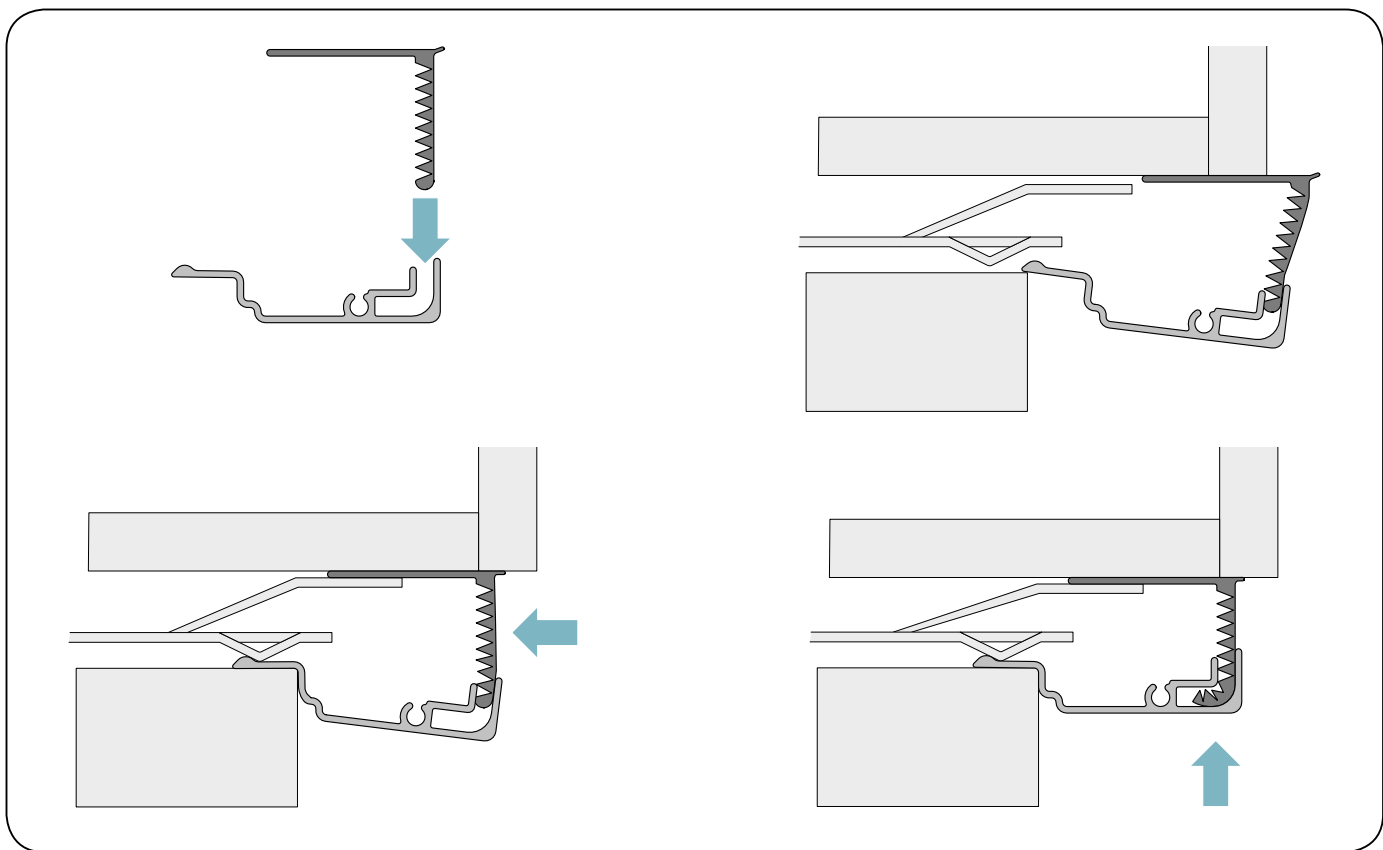


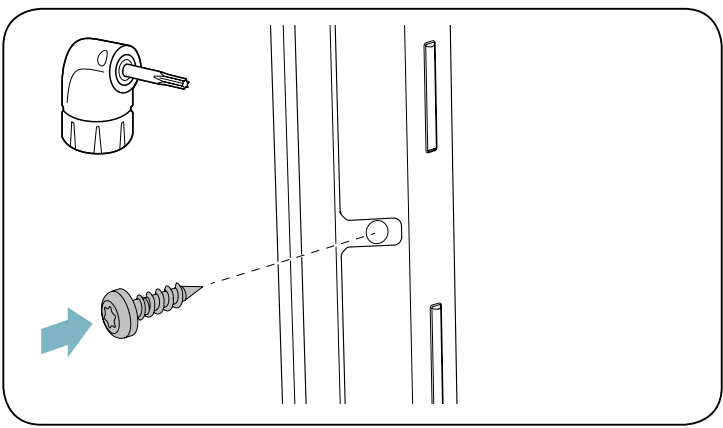
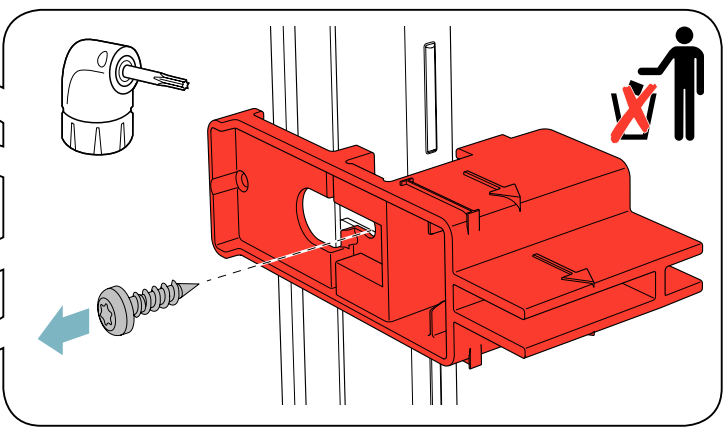
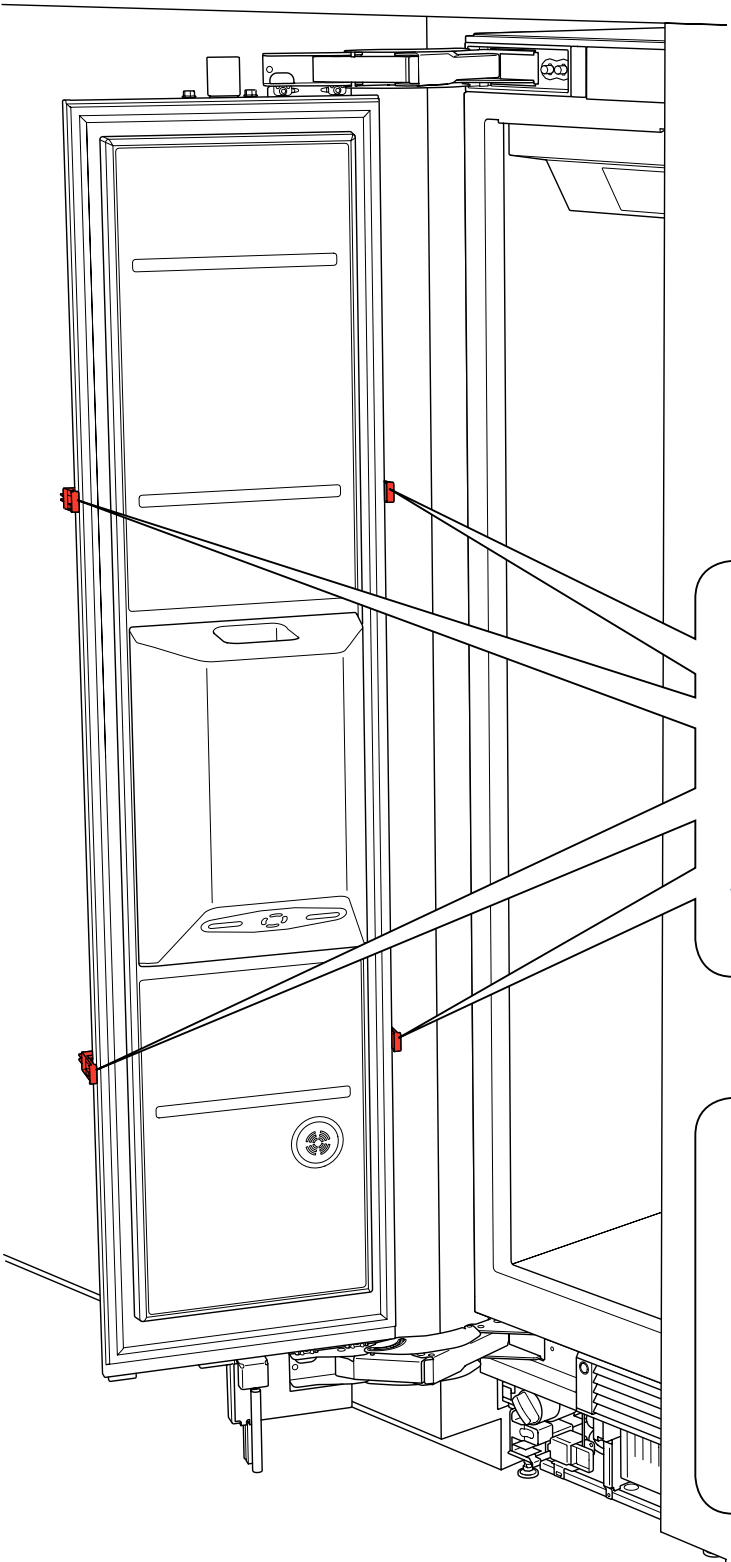
4x15   8x

A
B
C
D

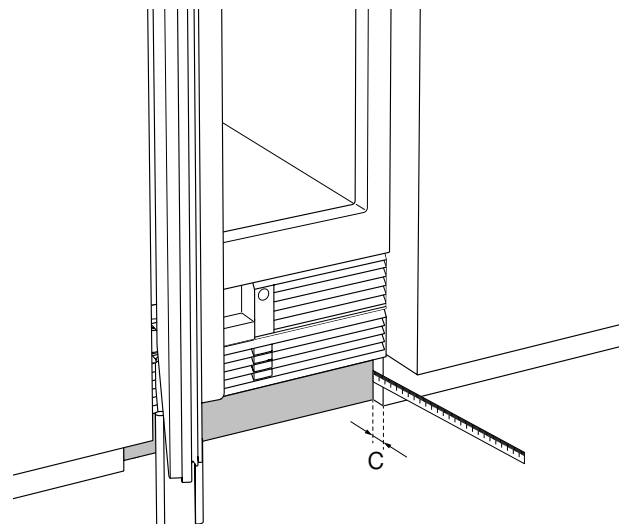
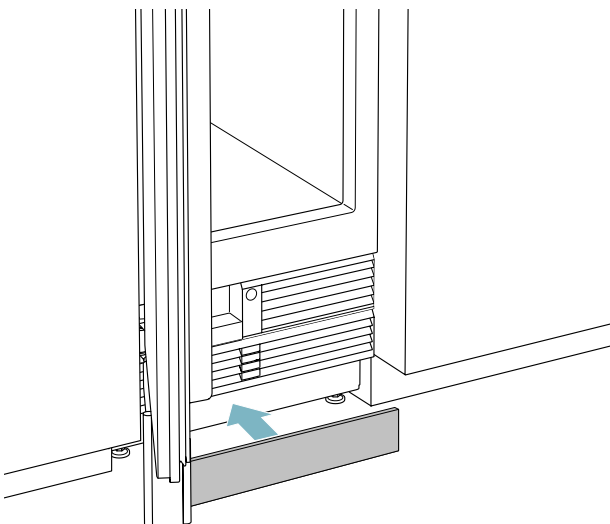
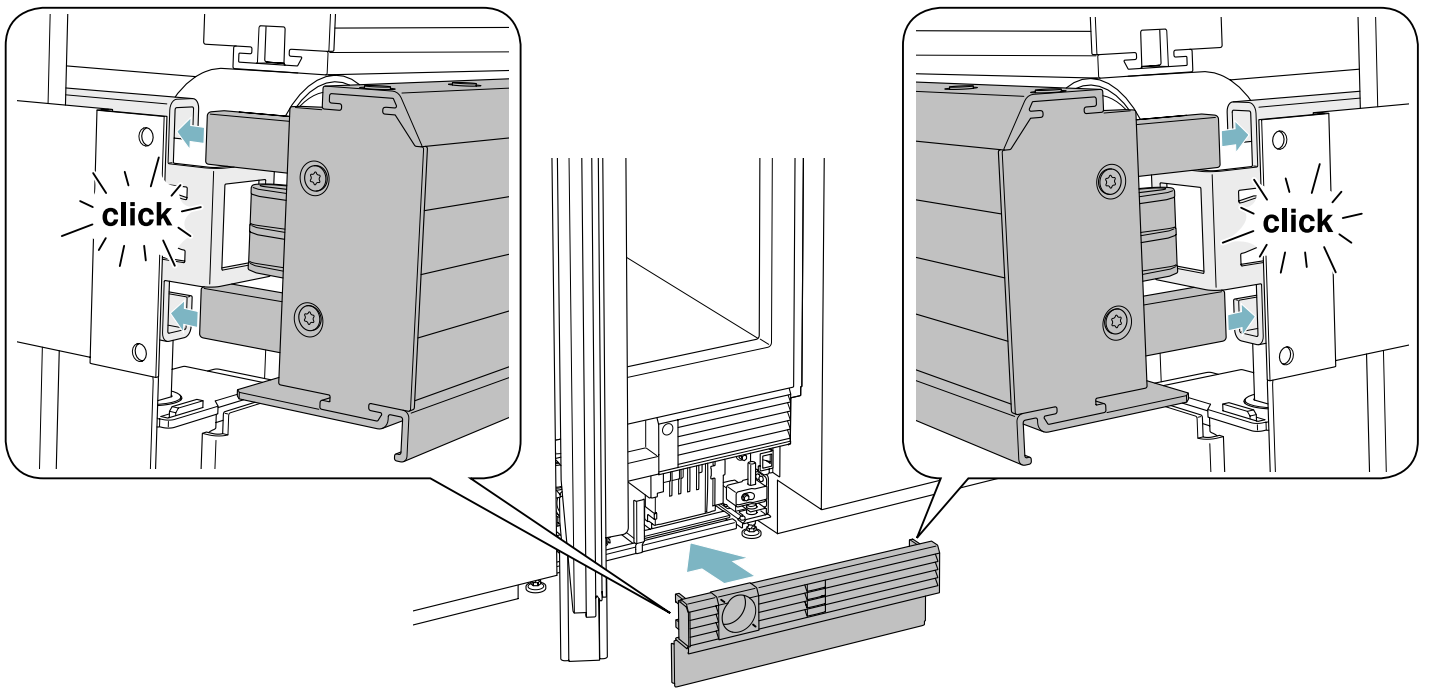
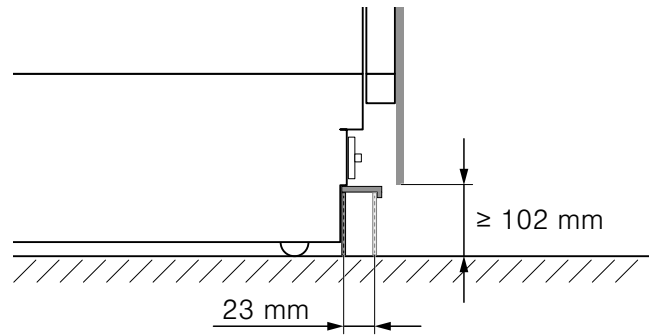
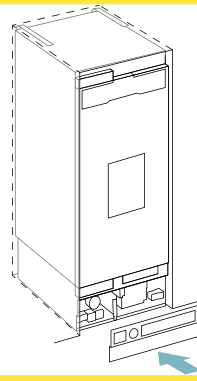


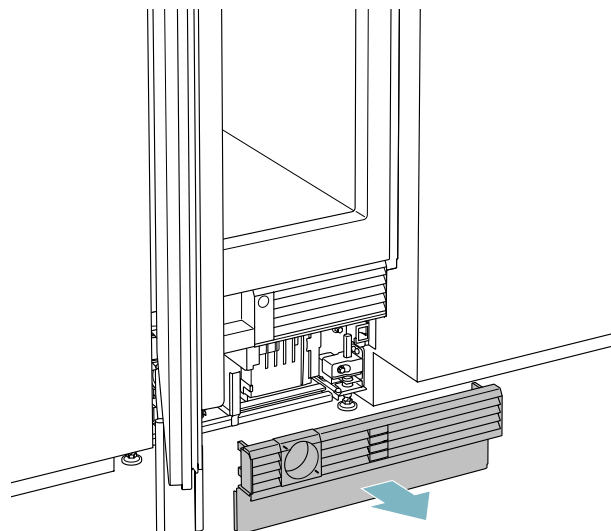
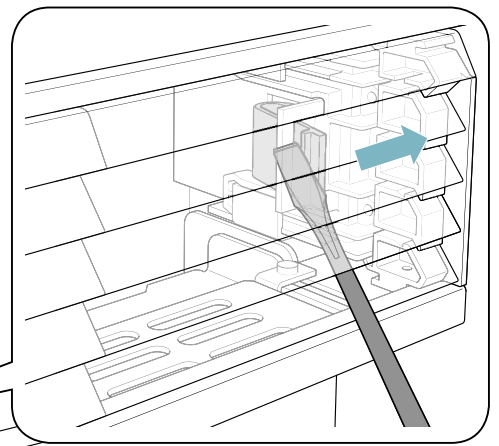
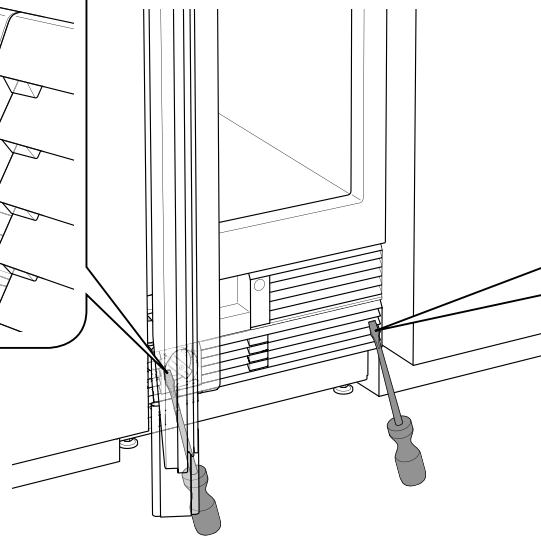
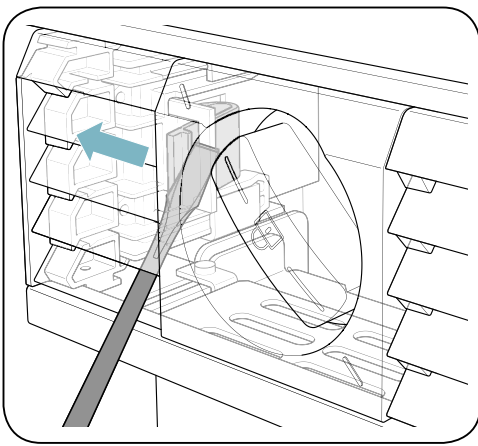
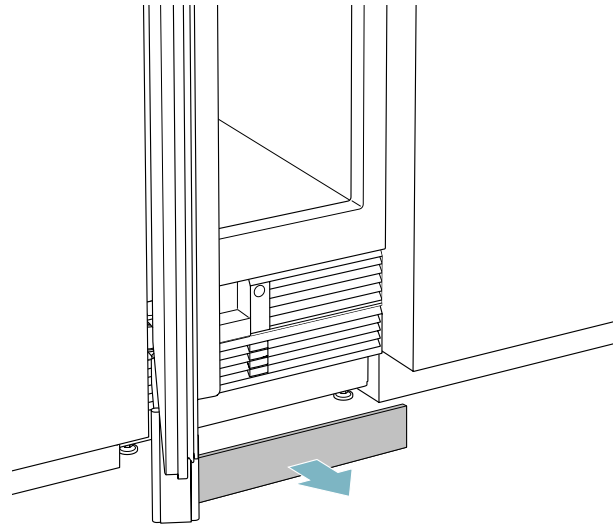
A
B
C
D



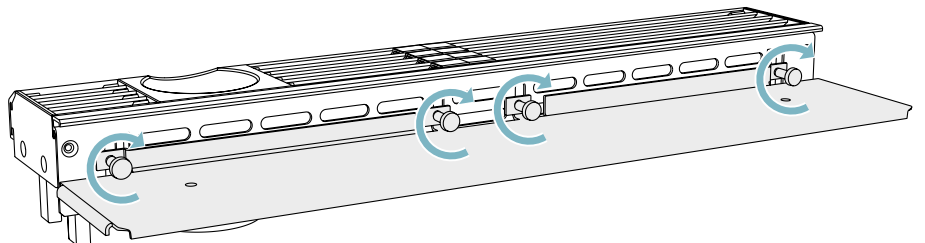
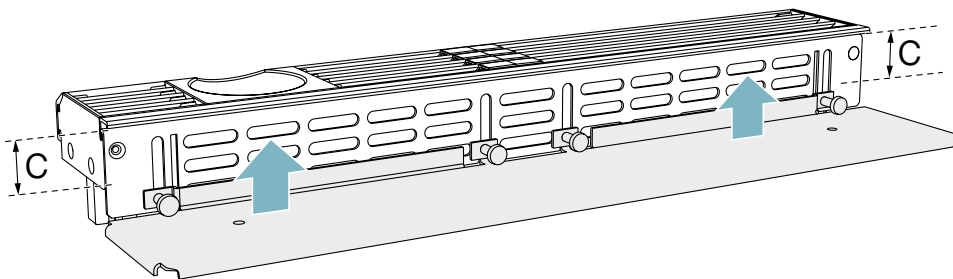
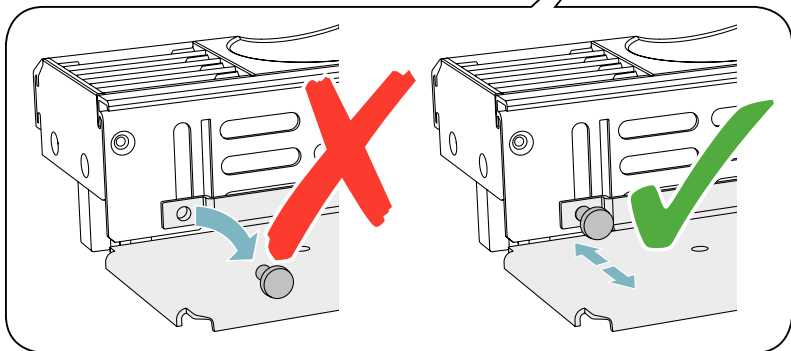
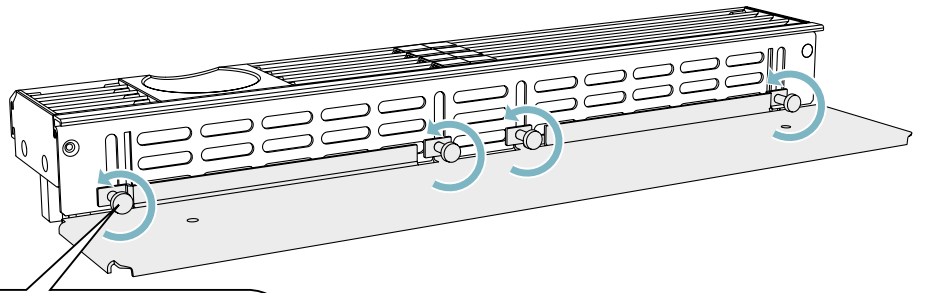
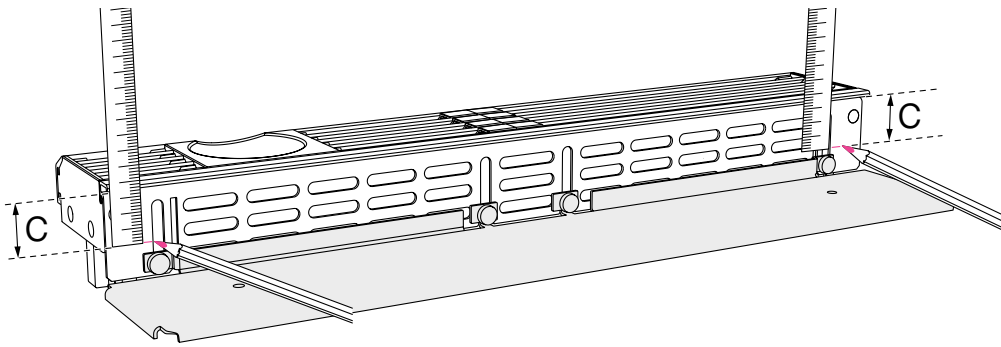


- A
- B
- C
- D

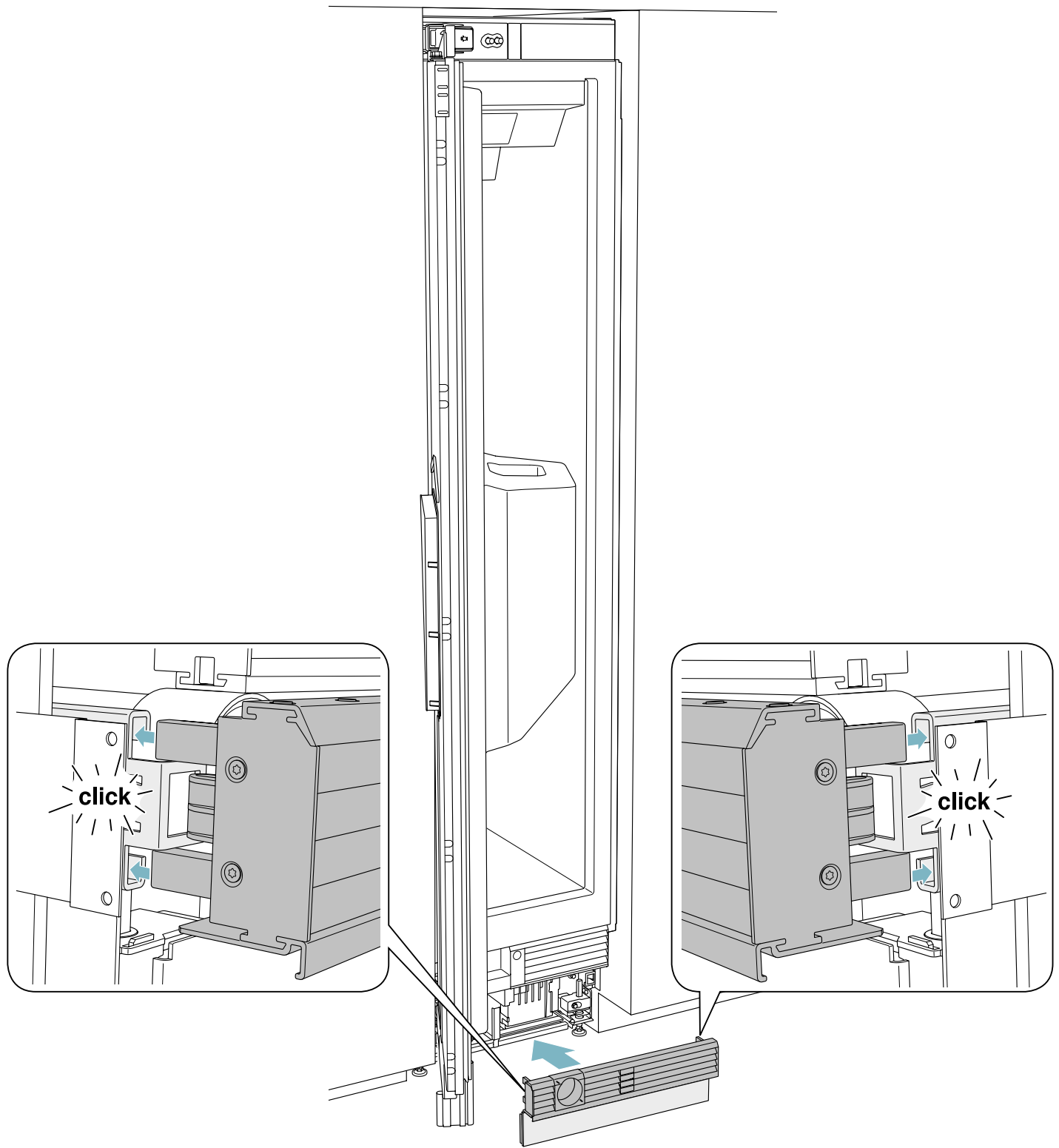
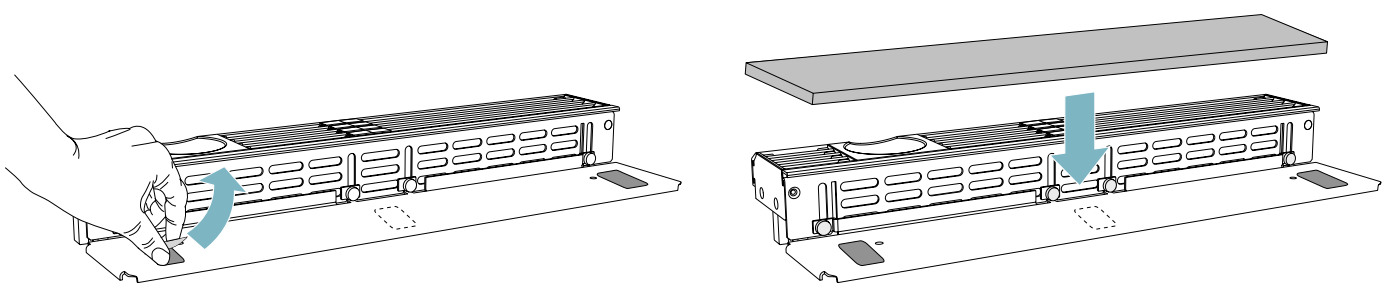




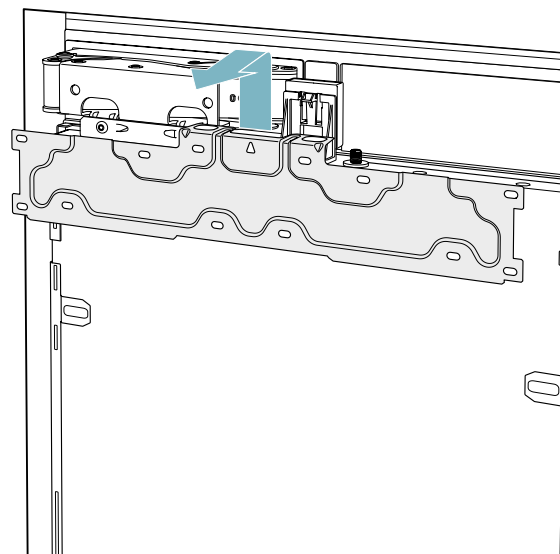
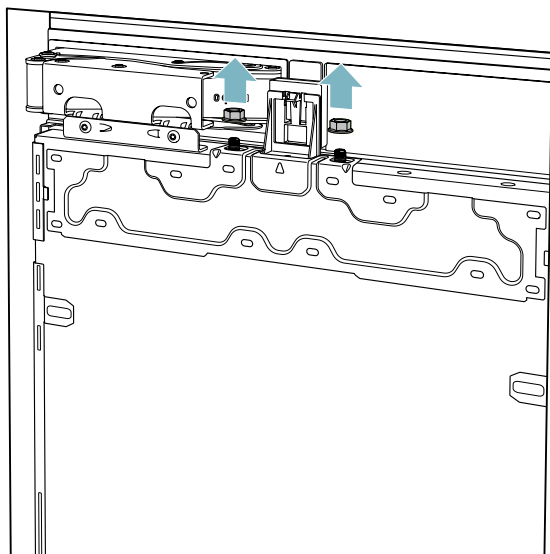
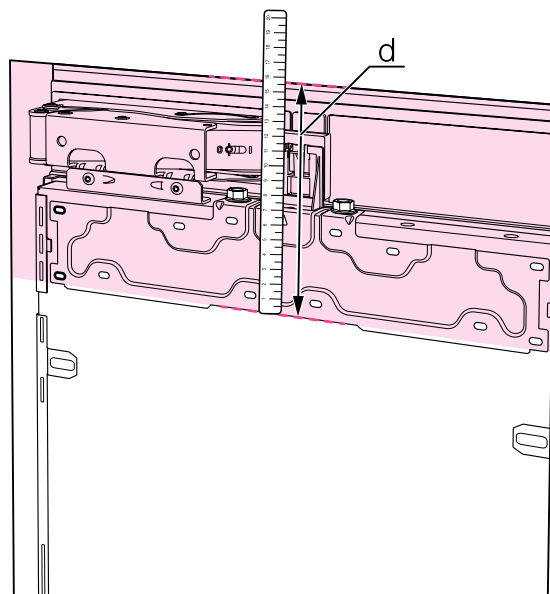
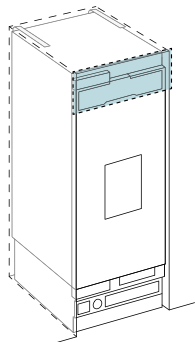
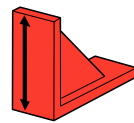
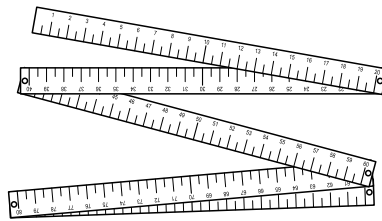
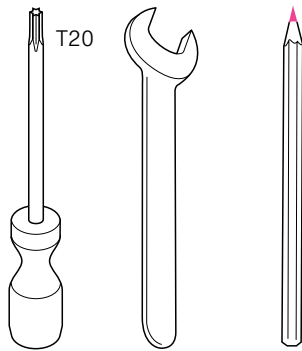
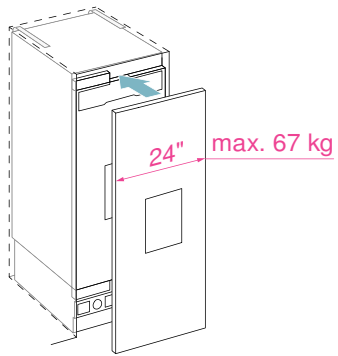
- A
- B
- C
- D

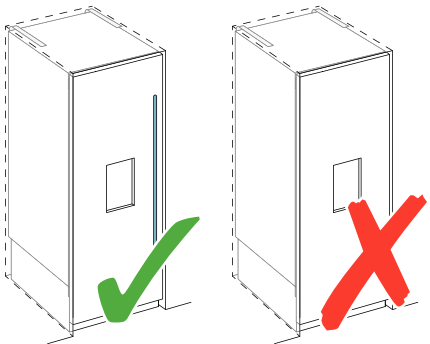
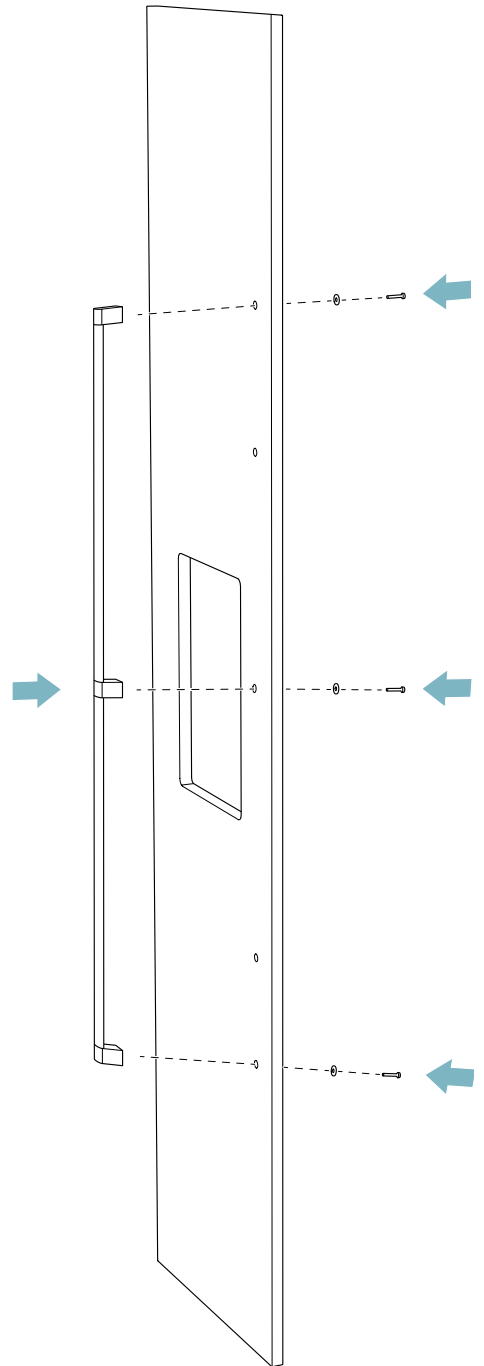
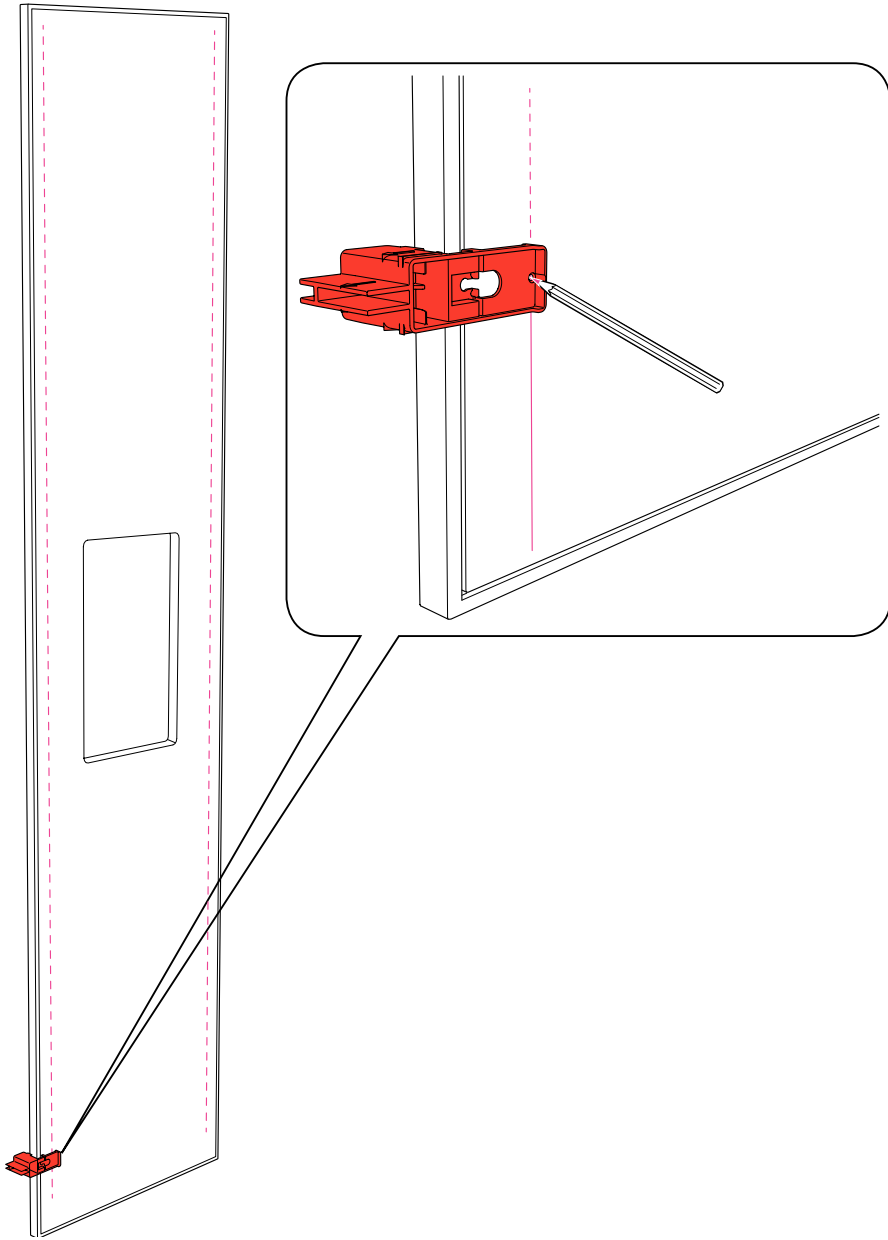


- A
- B
- C
- D

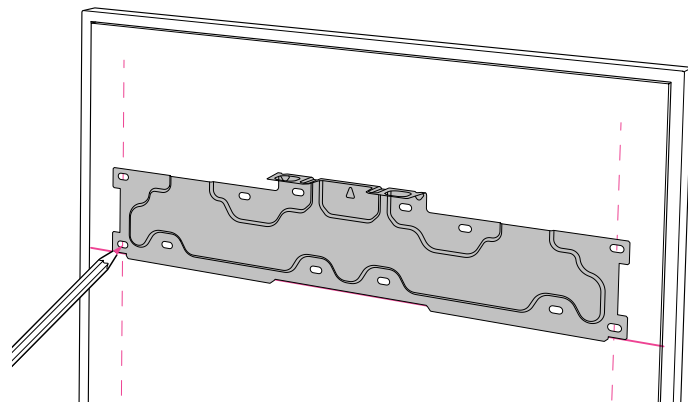
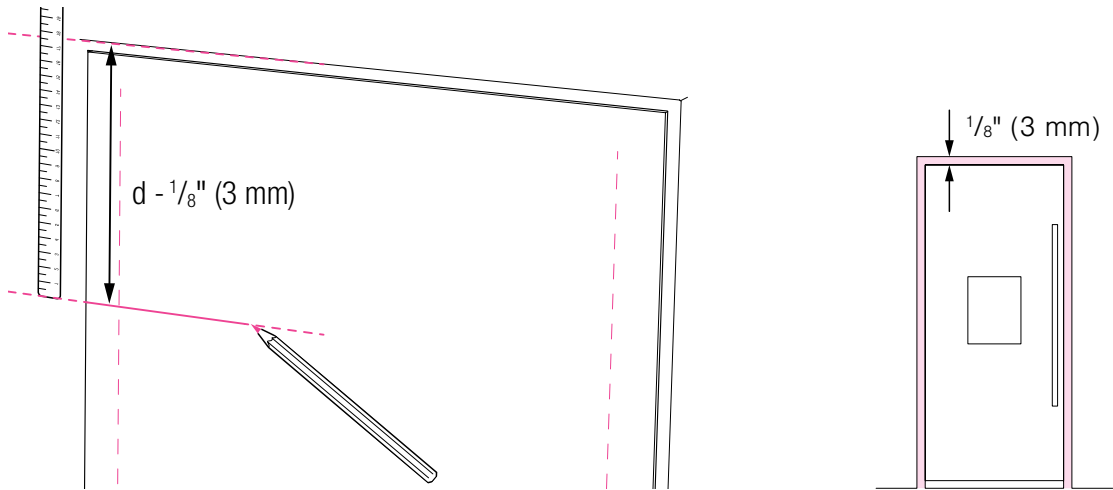



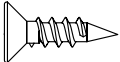
A
B
C
D

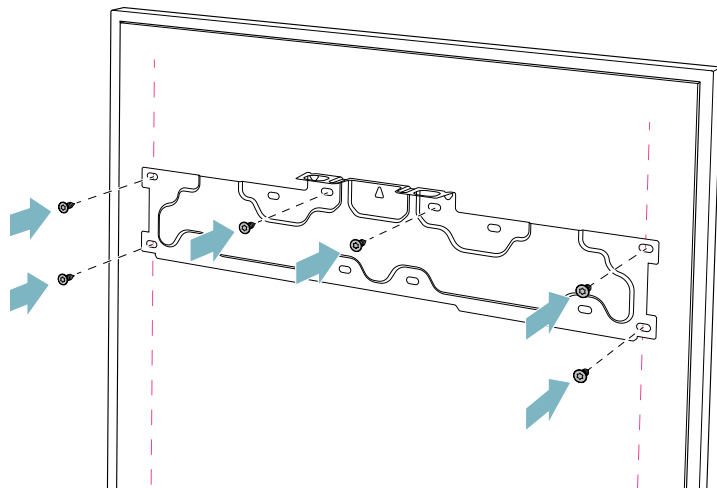


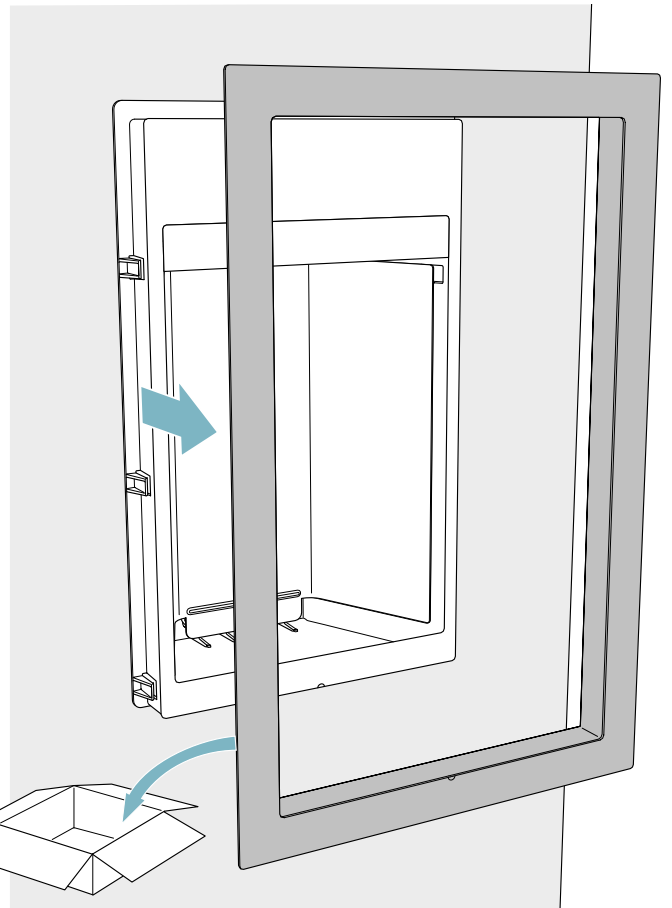
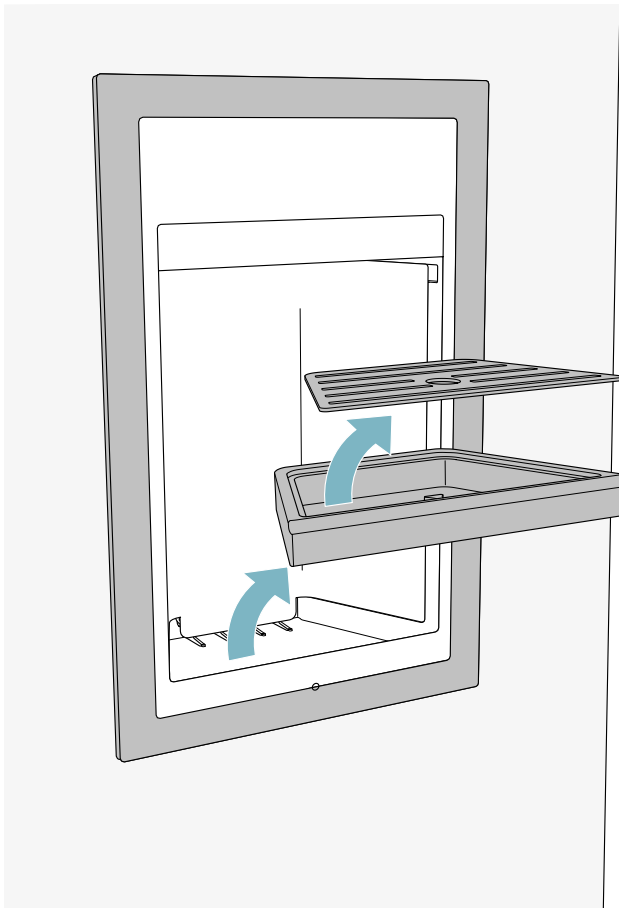
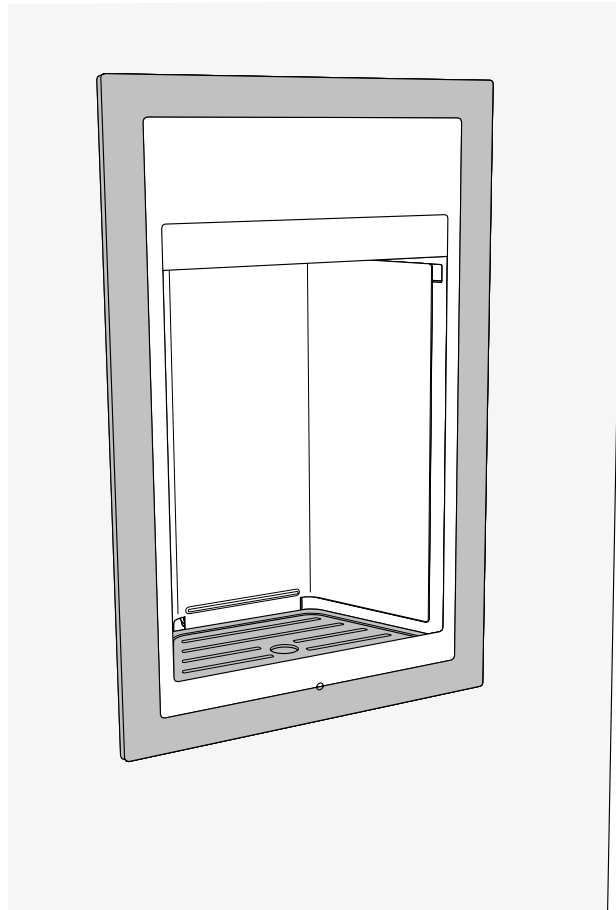
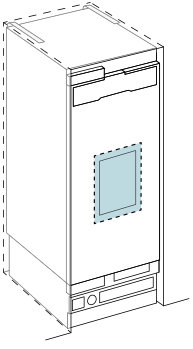


- A
- B
- C
- D



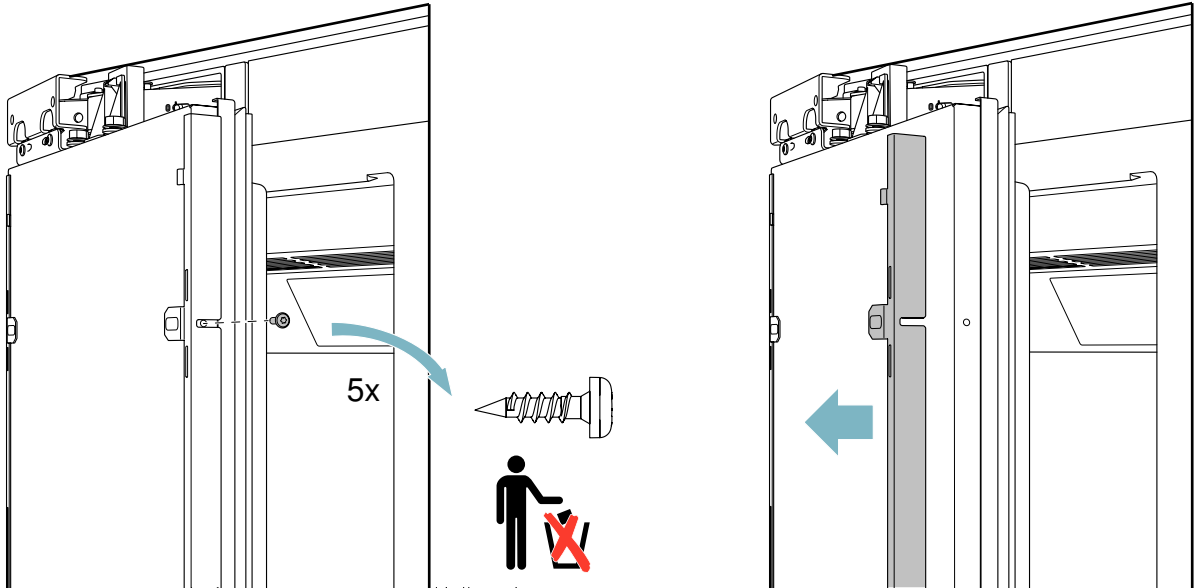
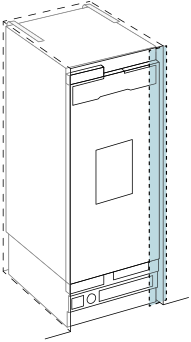
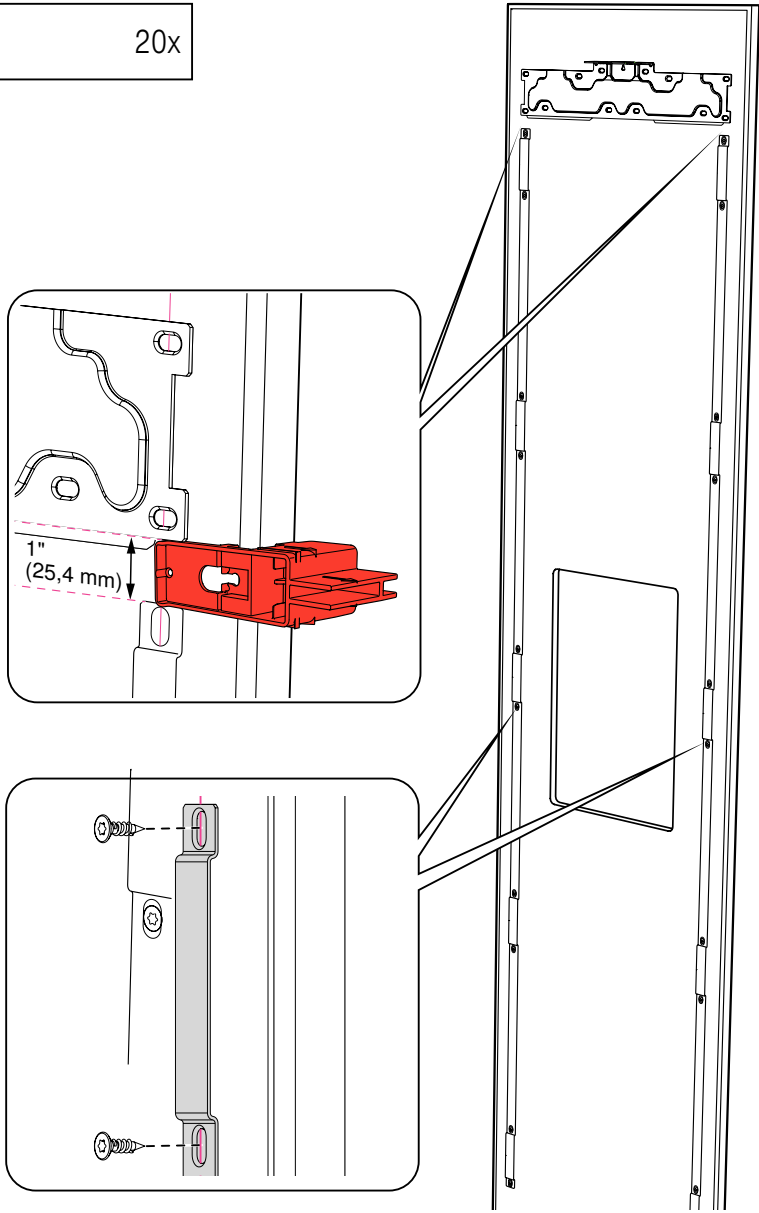
4x15   24" (610 mm) min. 6x



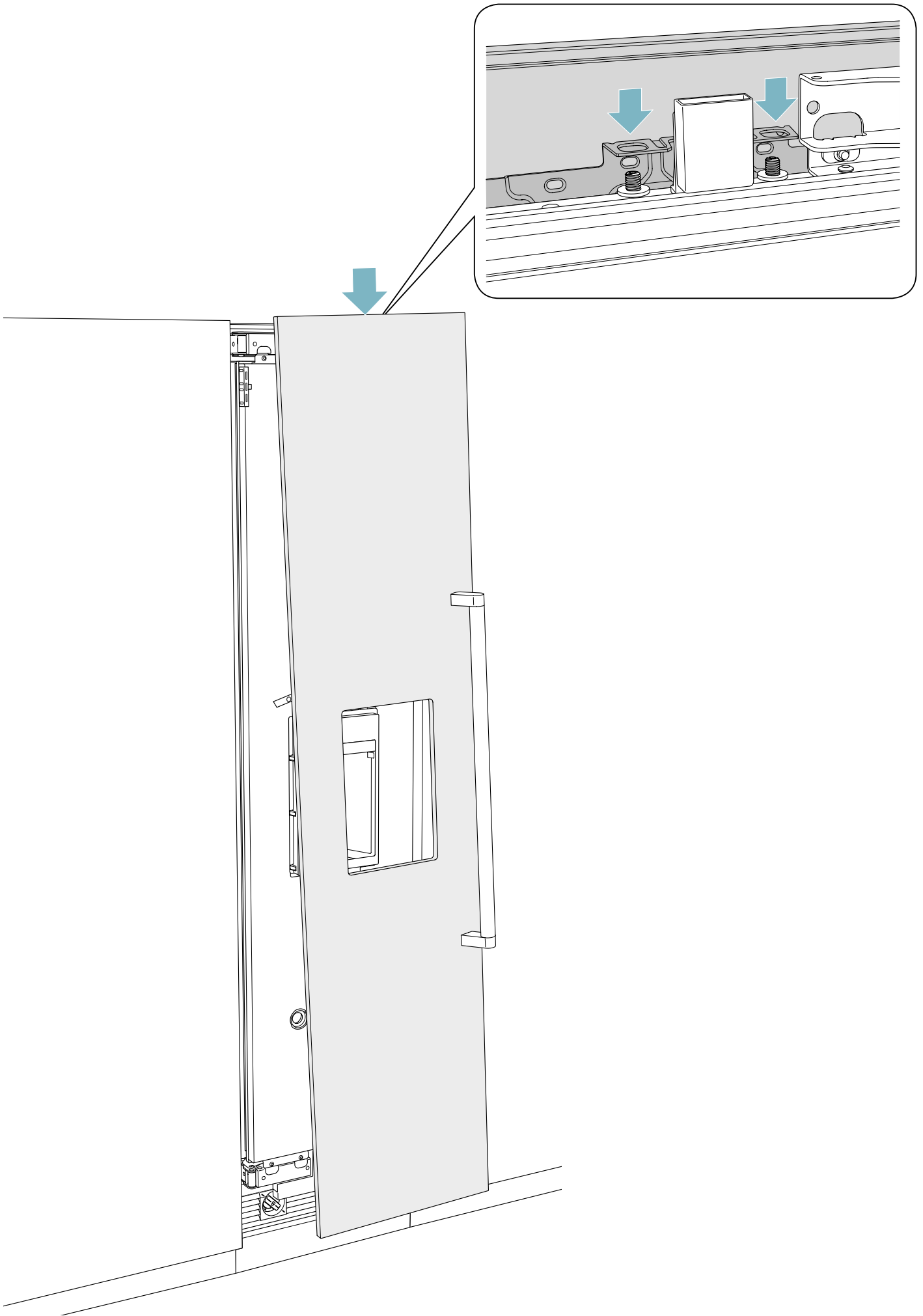


A
B
C
D

4x15   20x

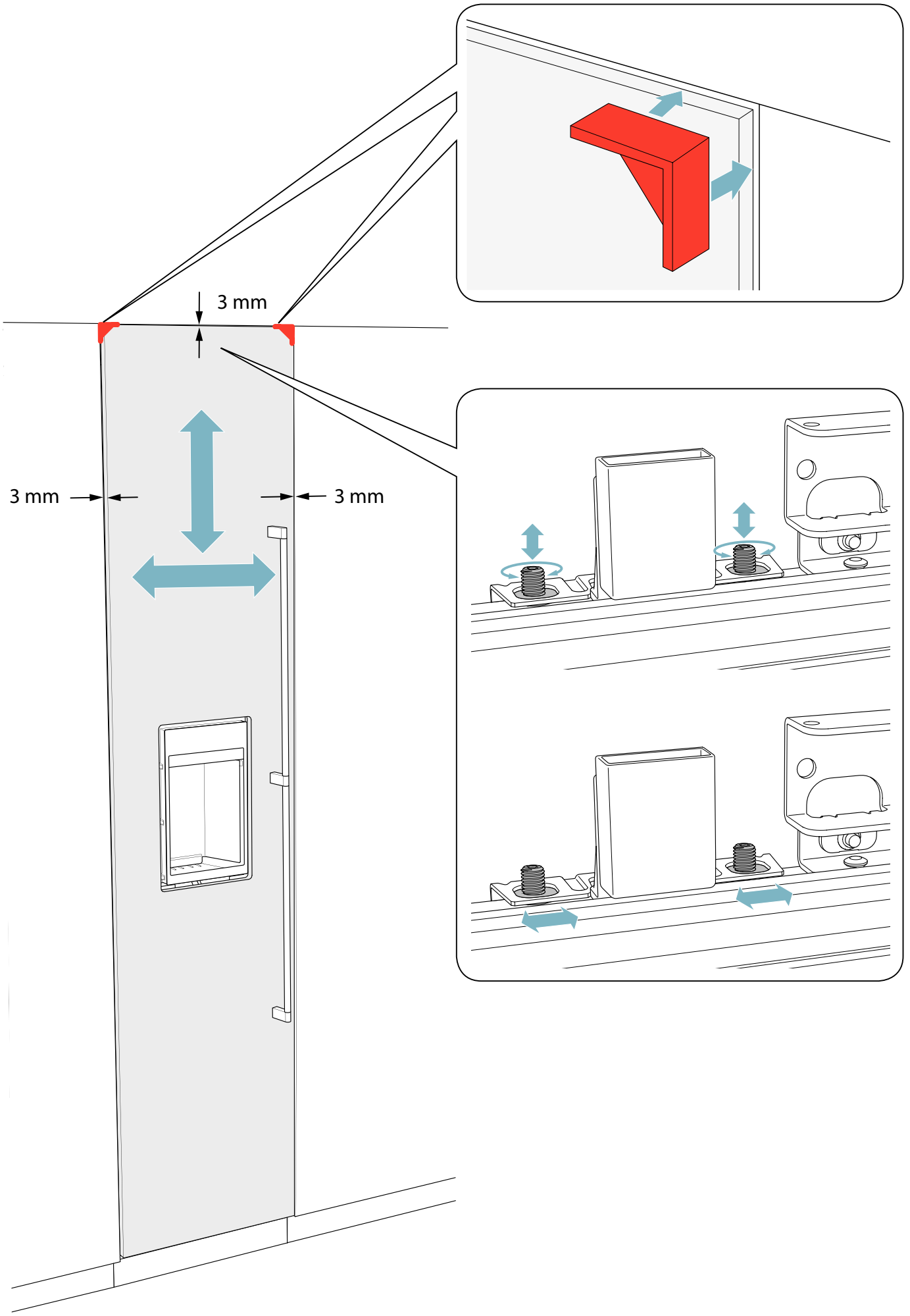


- A
- B
- C
- D

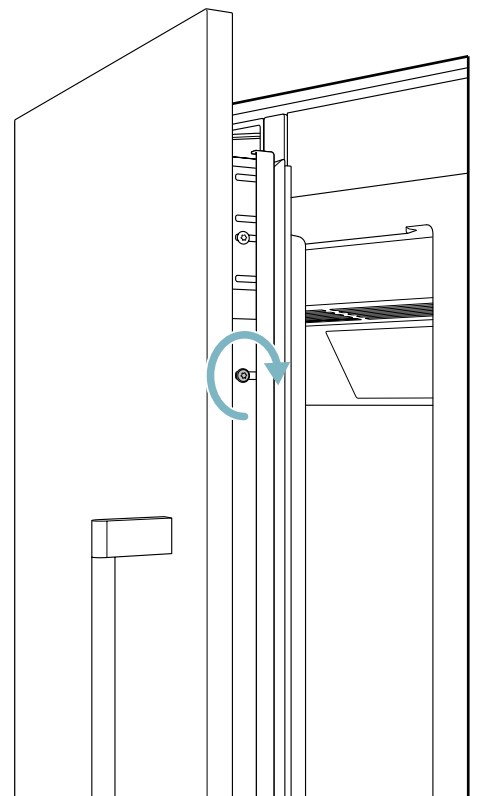
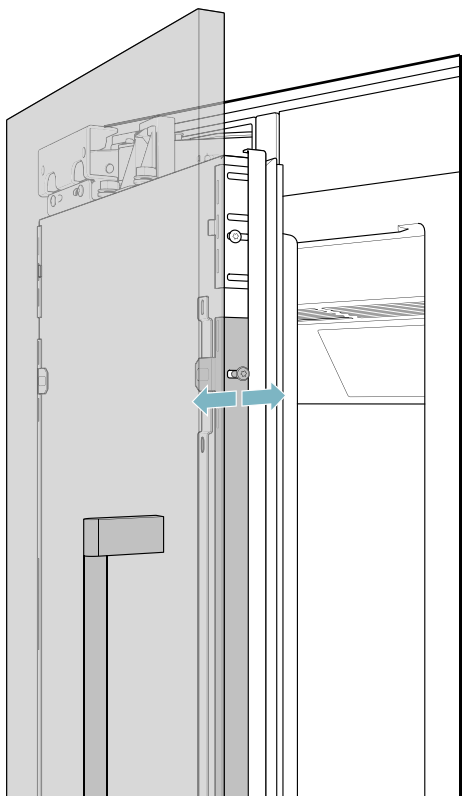
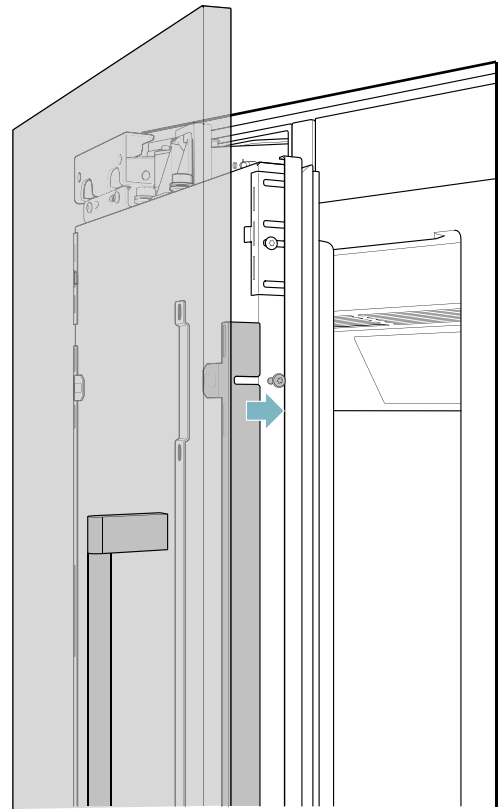
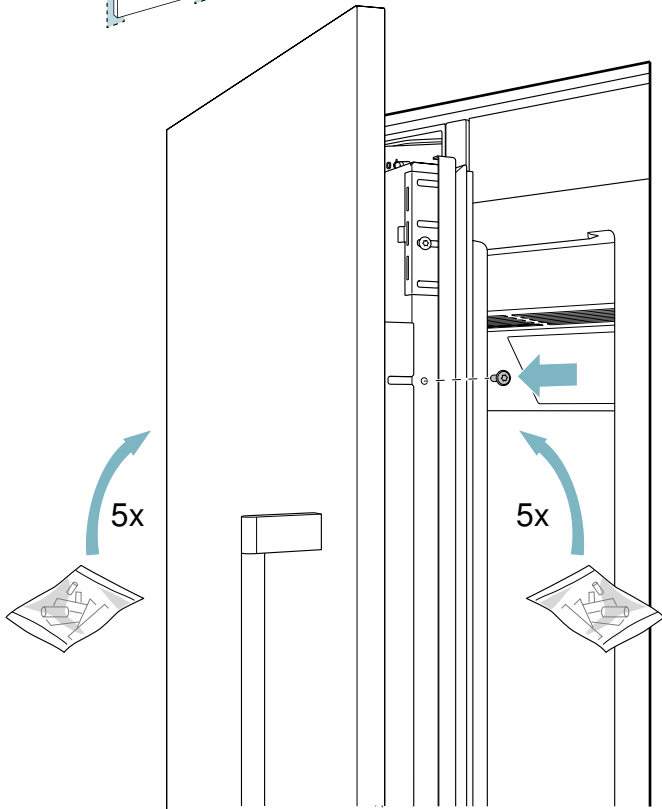
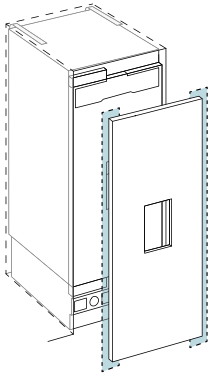


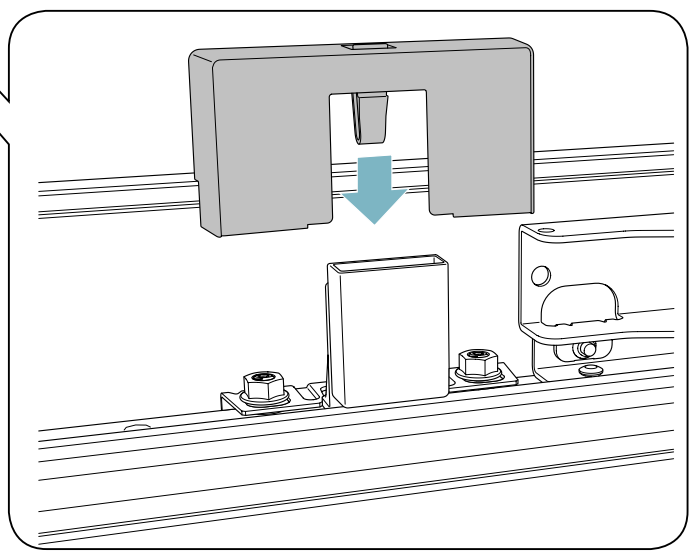
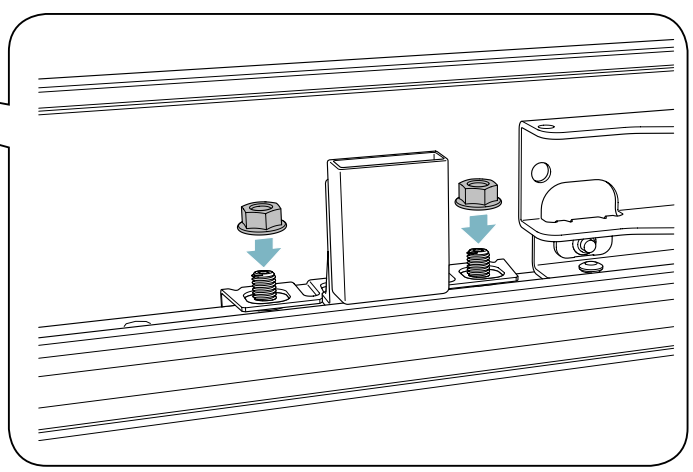
- A
- B
- C
- D



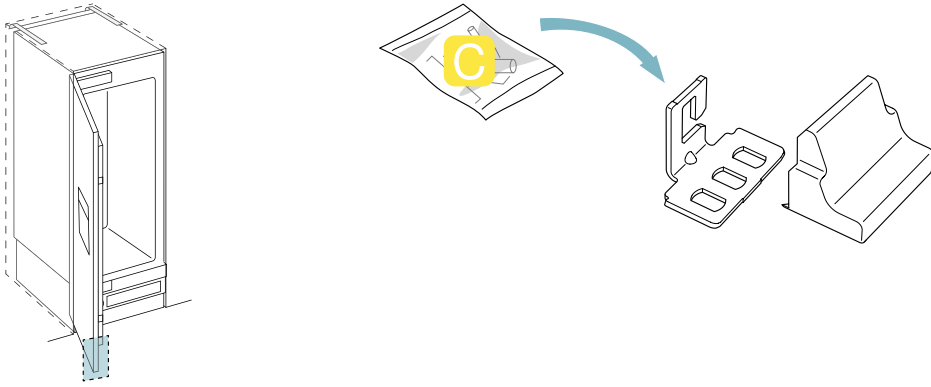


- A
- B
- C
- D

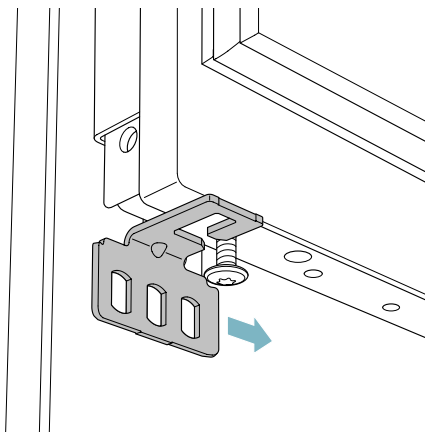




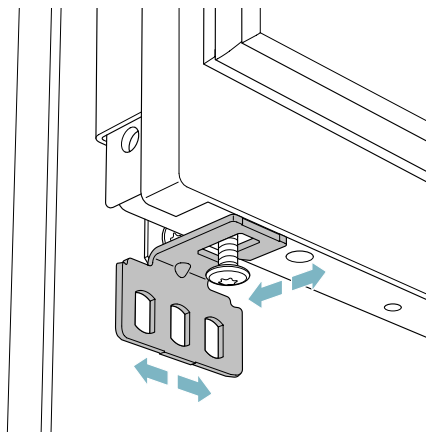
- A
- B
- C
- D



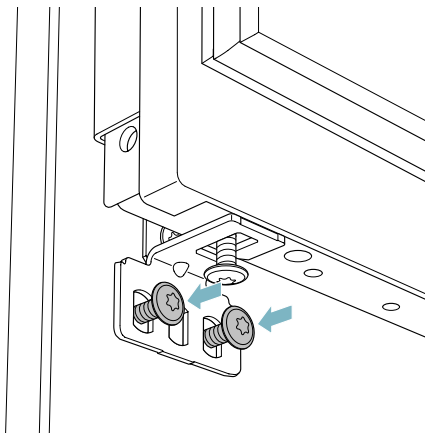
①



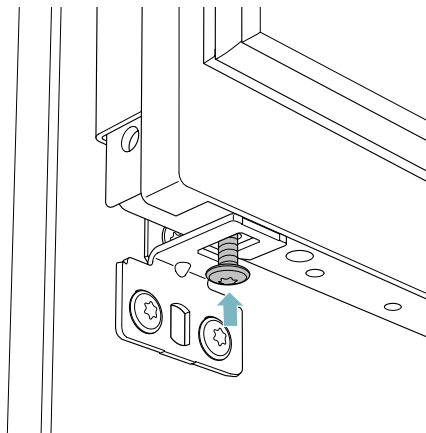
②



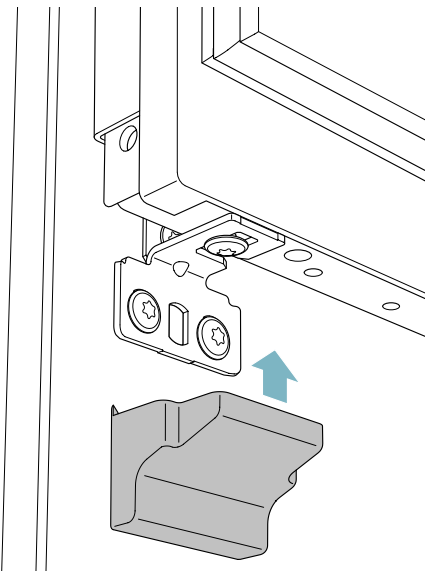
③



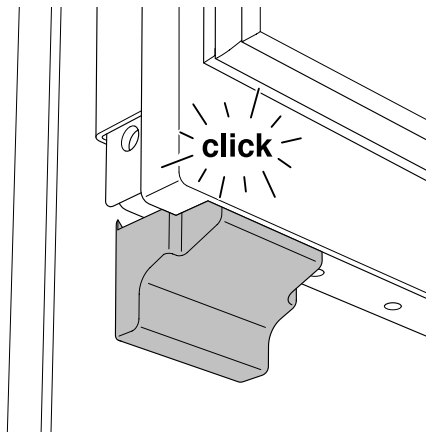
④

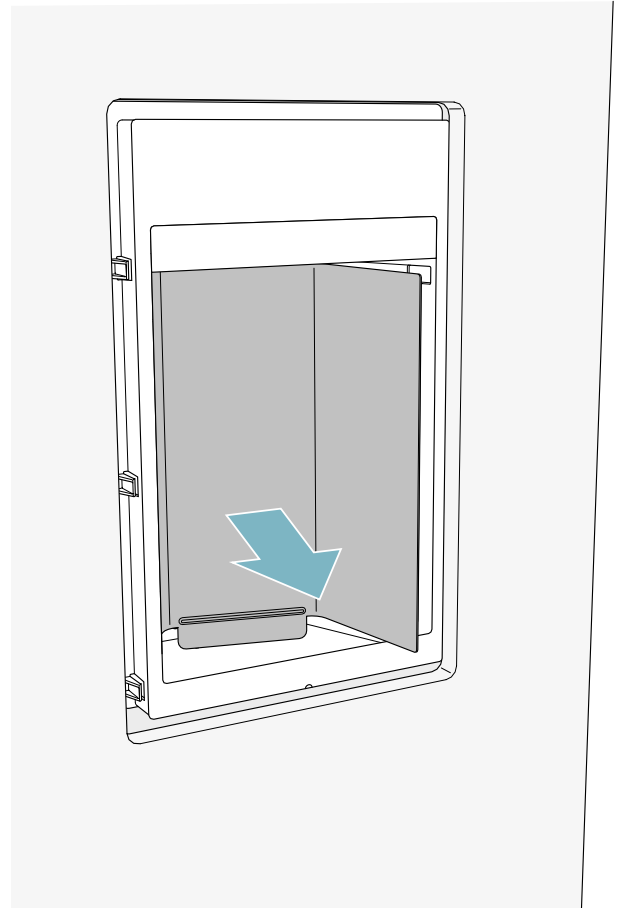
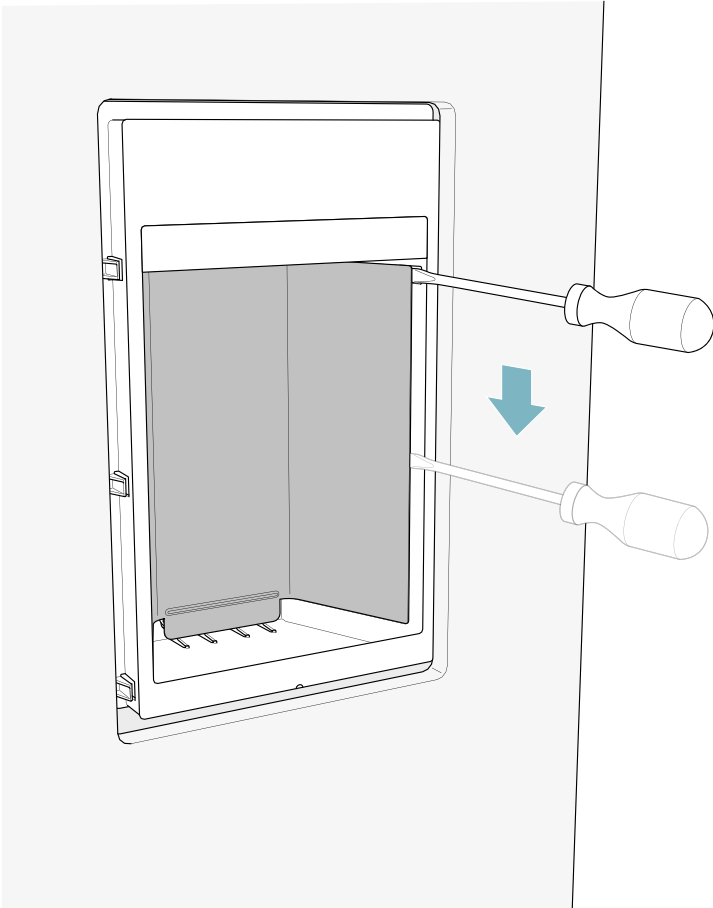
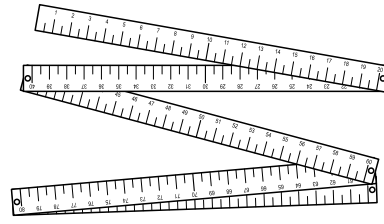
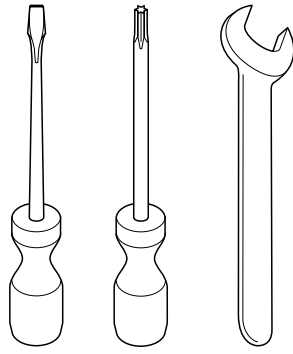
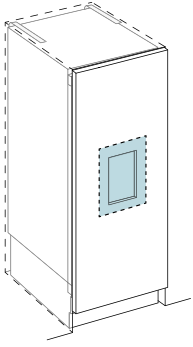


⑤

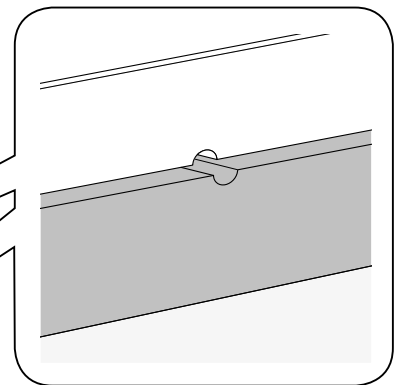
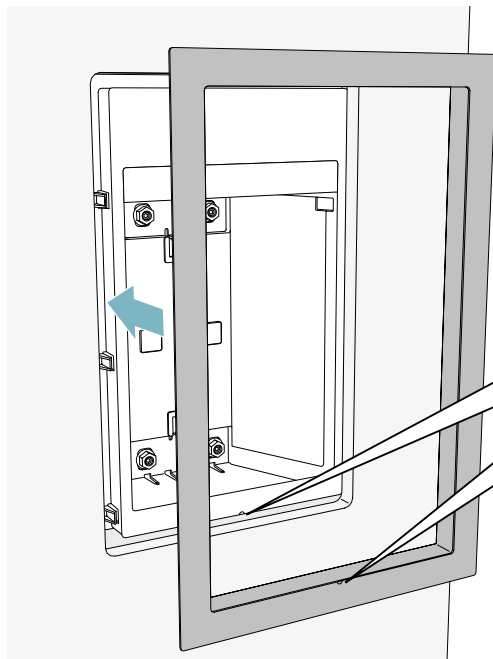
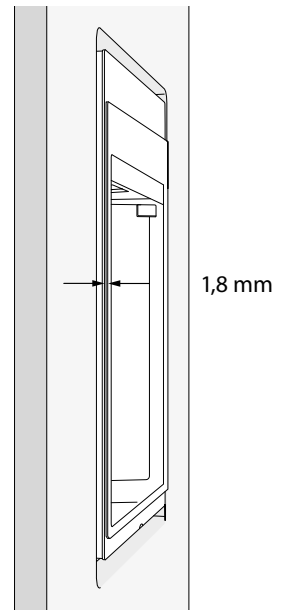
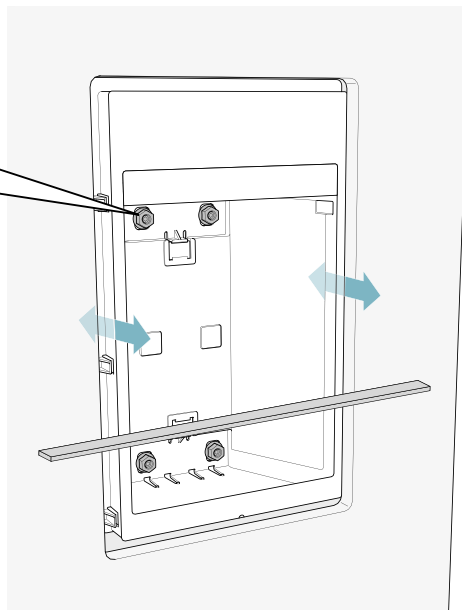
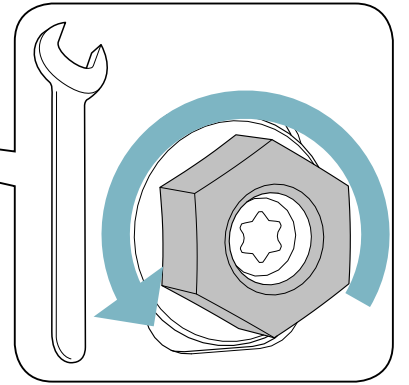
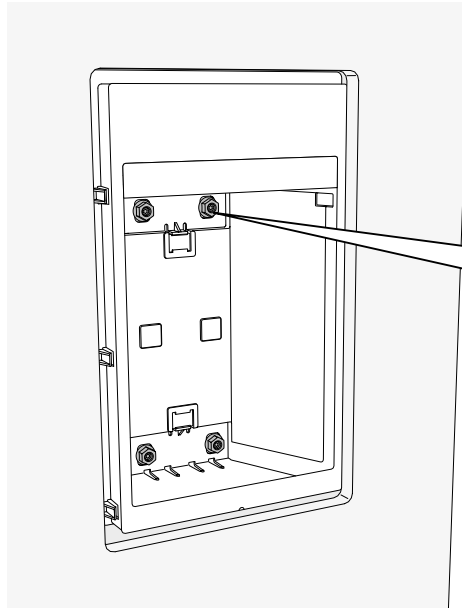
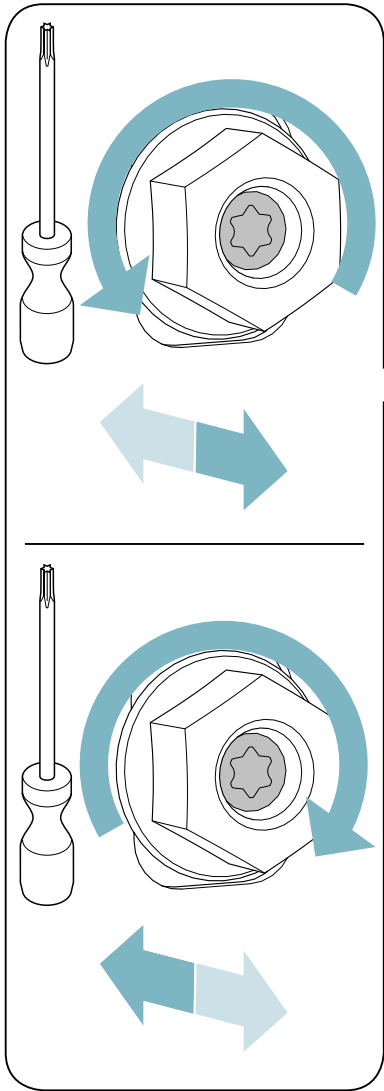


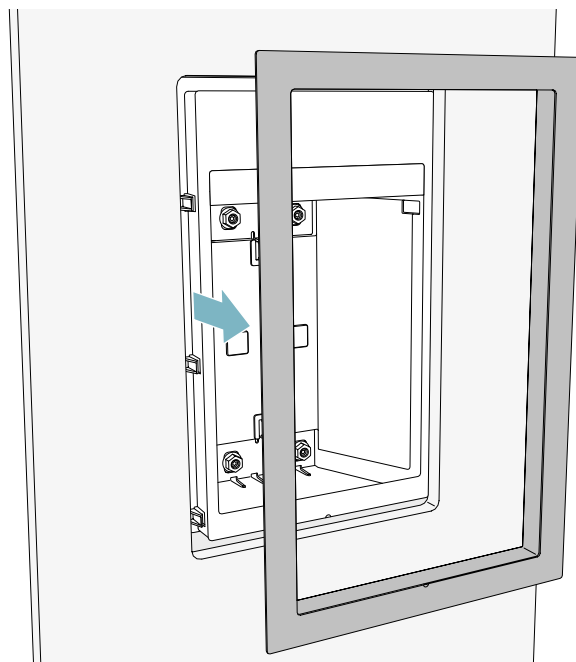
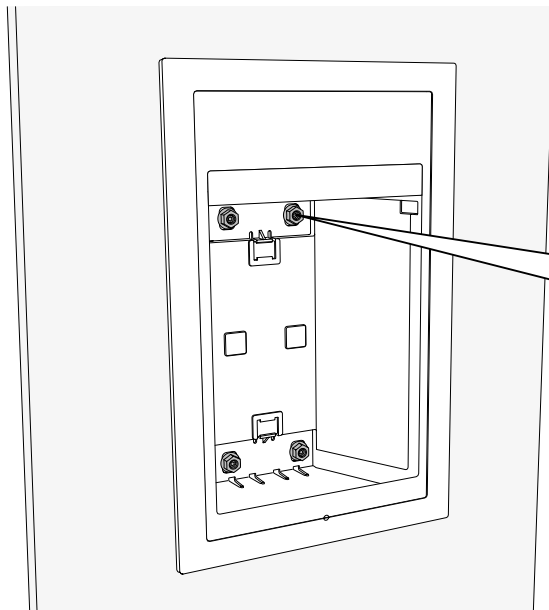
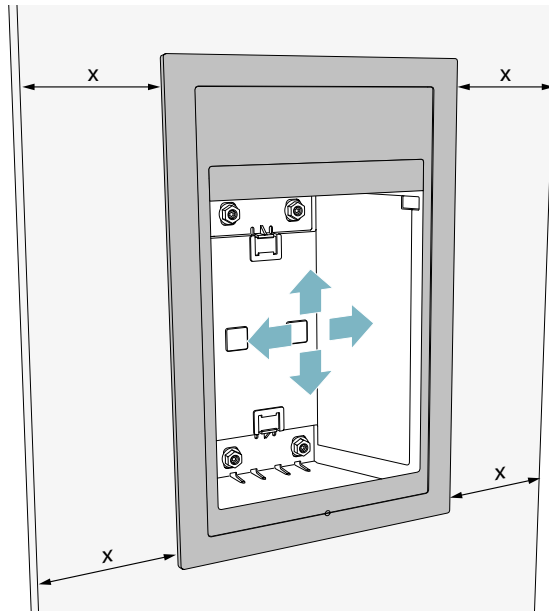
⑥



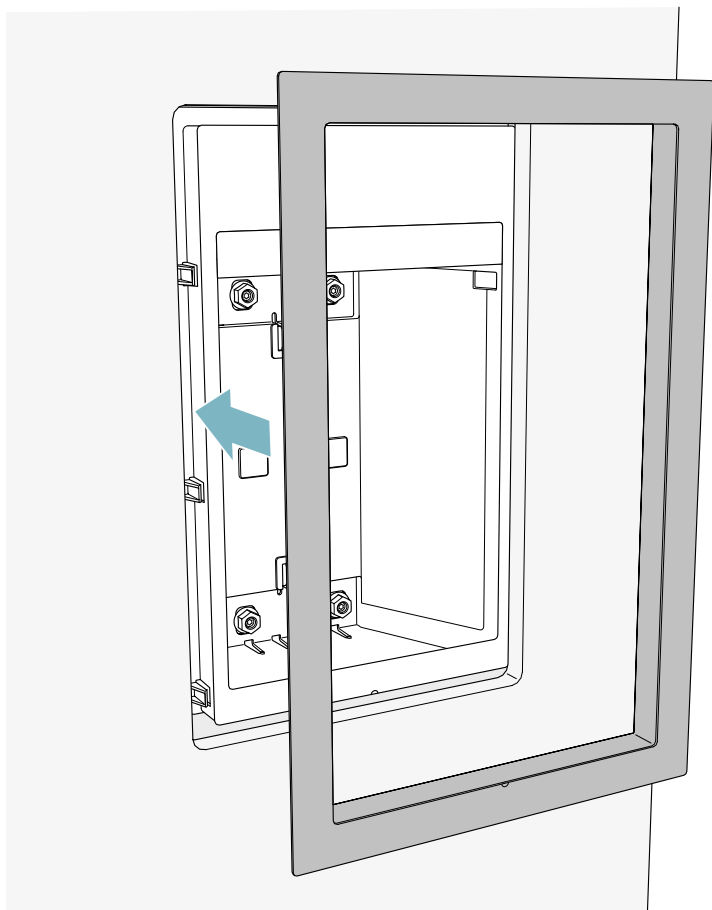
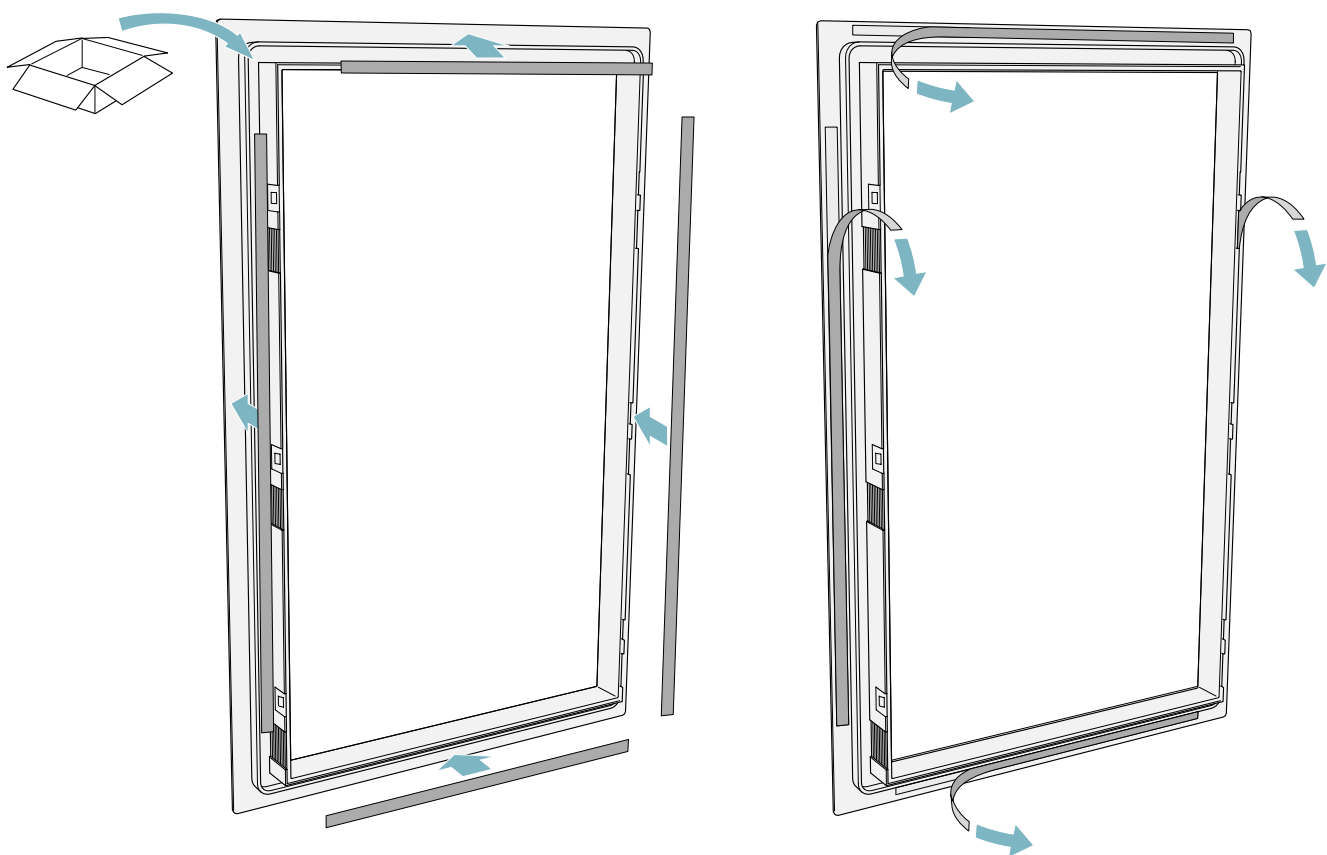


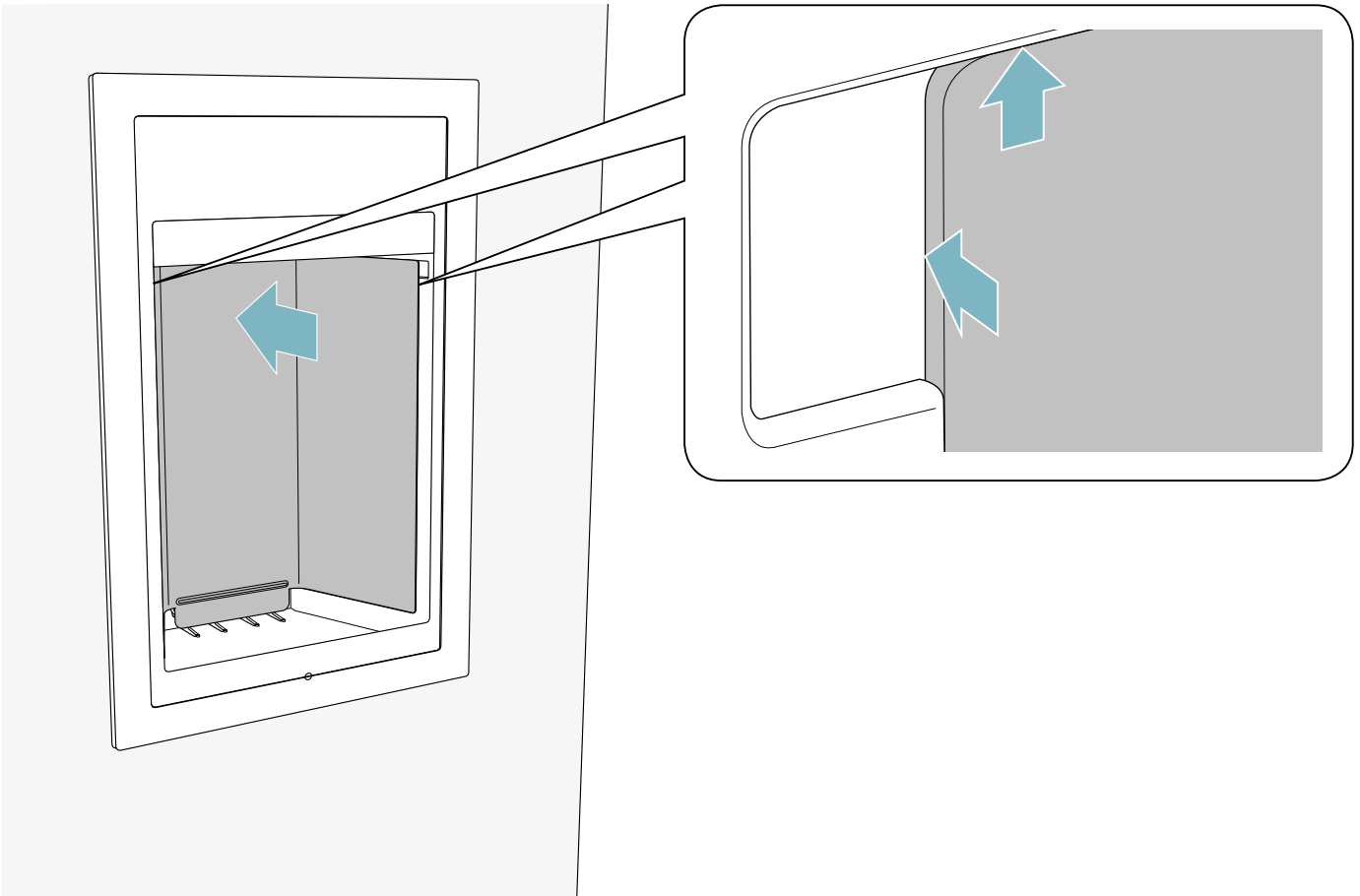
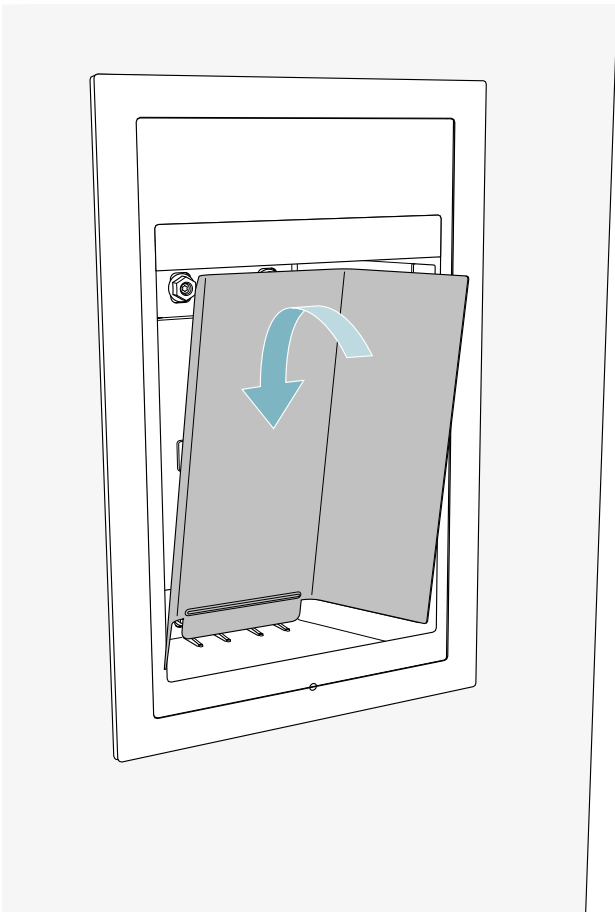
- A
- B
- C
- D



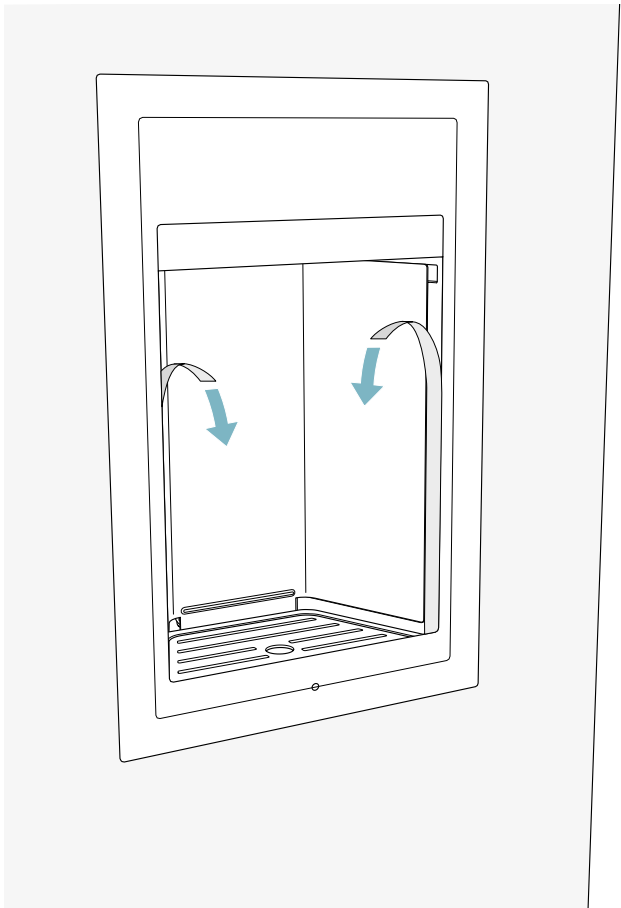
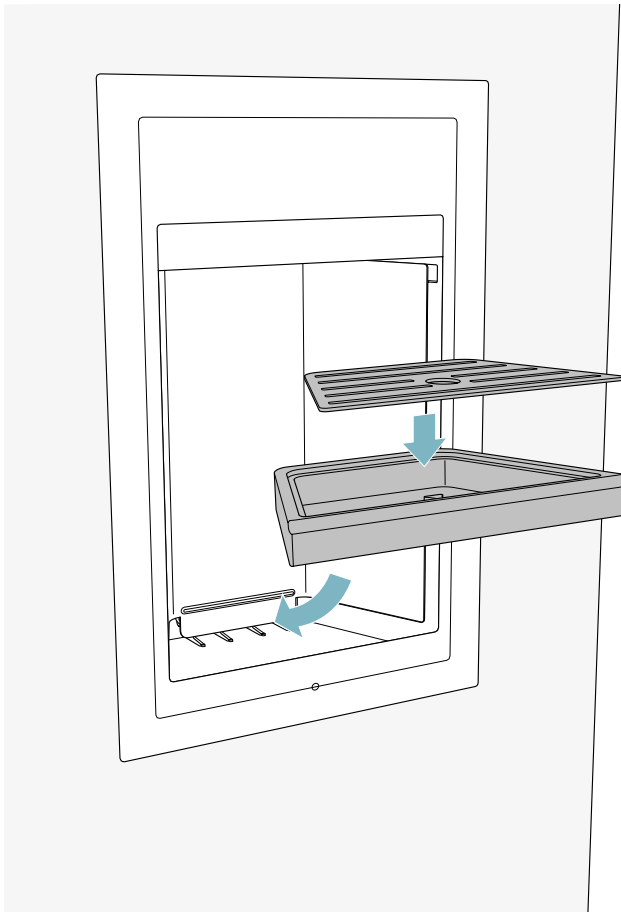


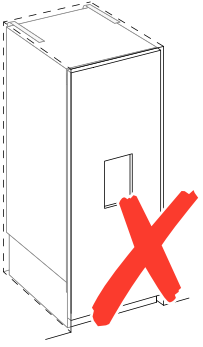
- A
- B
- C
- D



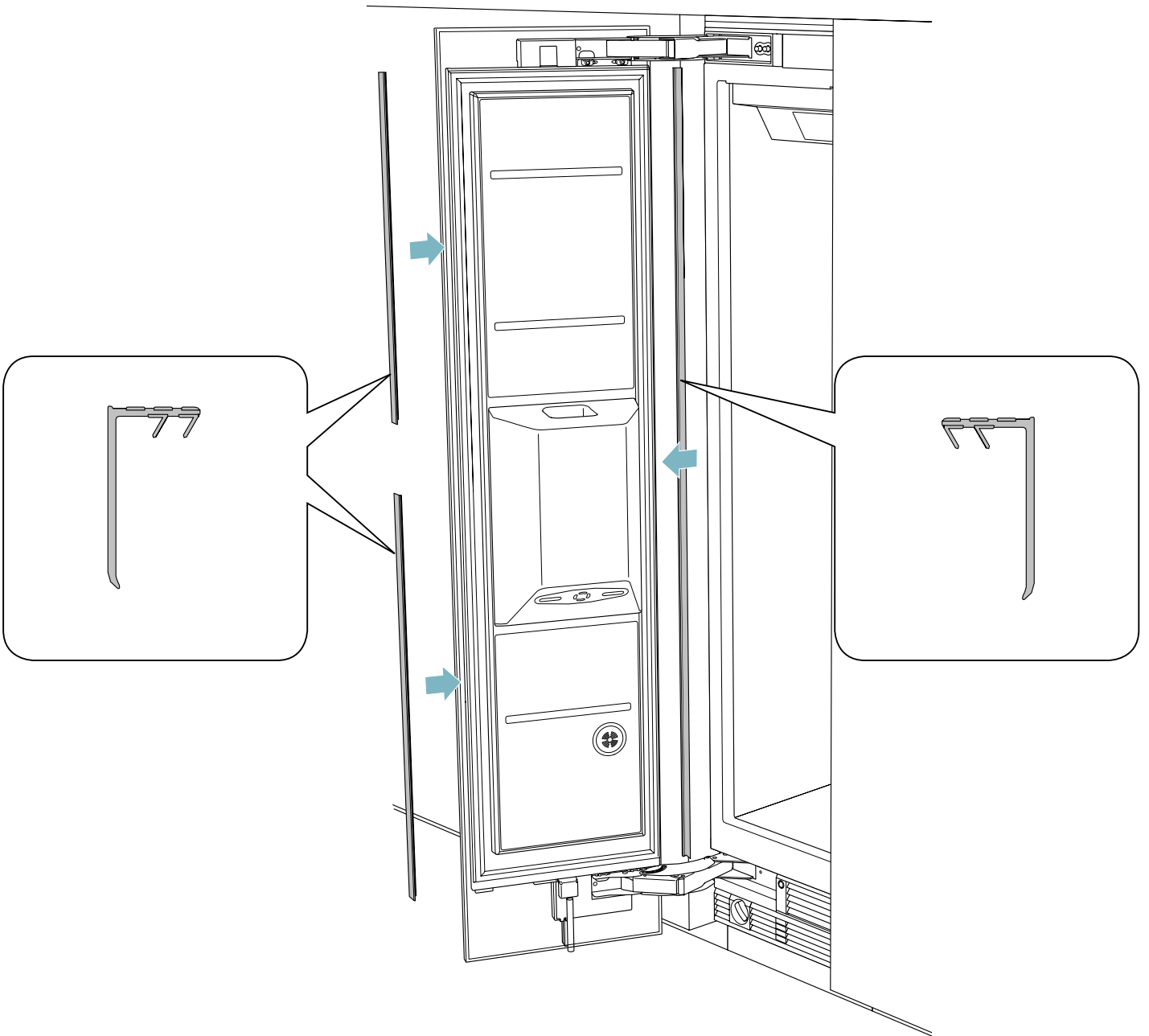


- A
- B
- C
- D

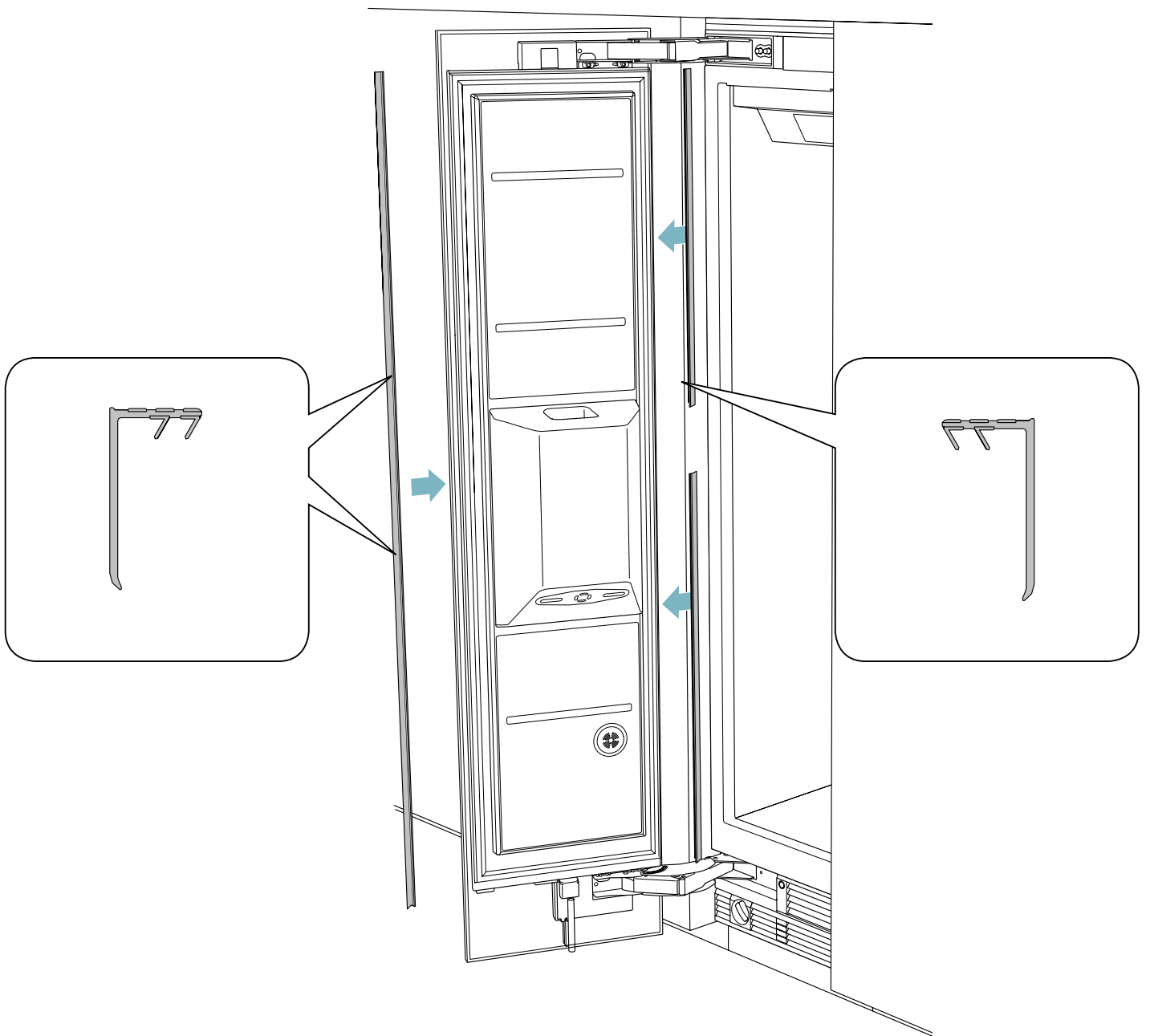
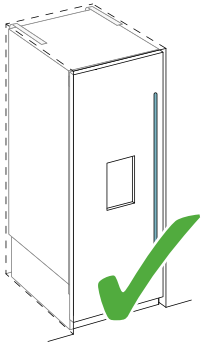


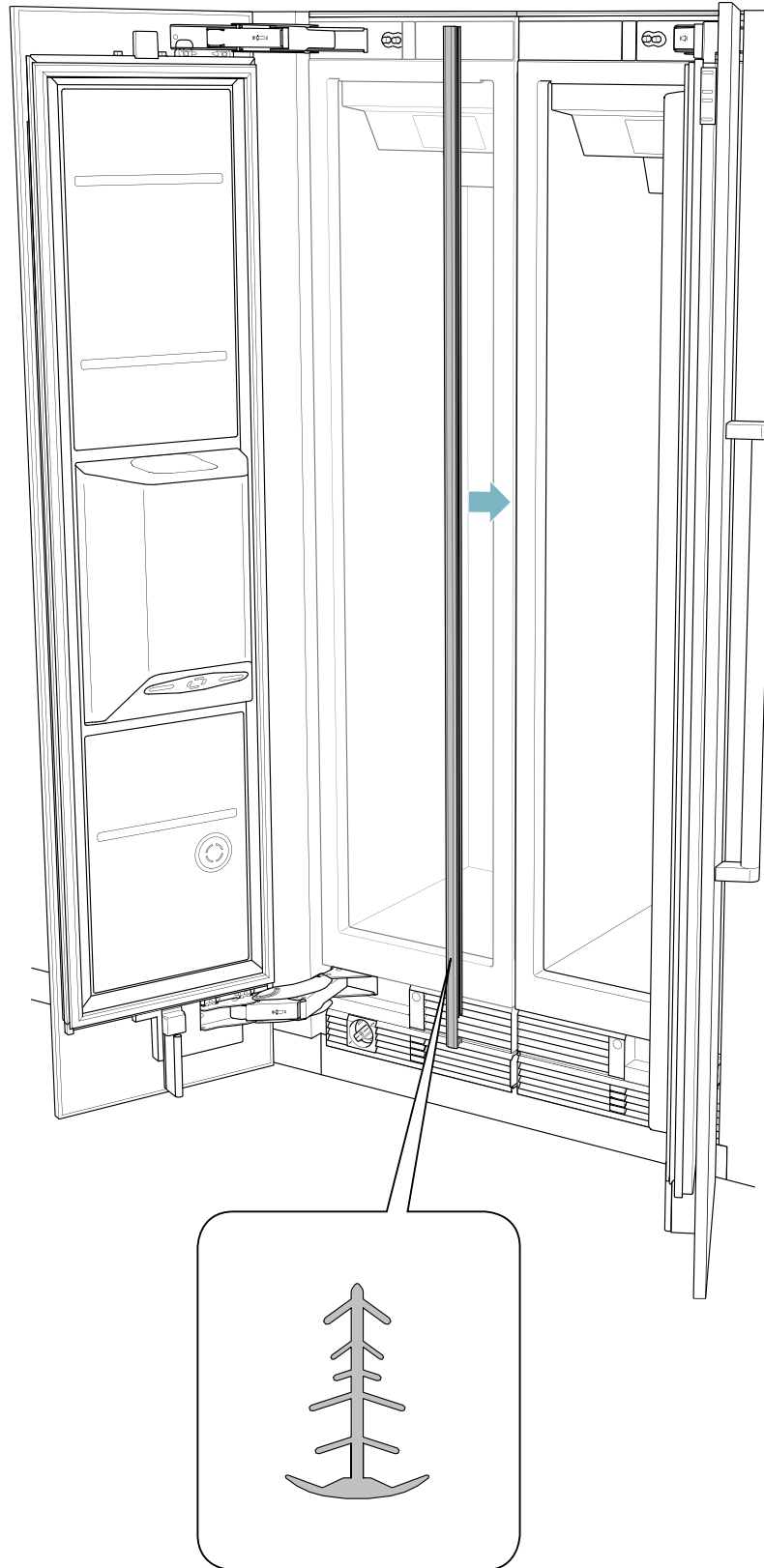


- A
- B
- C
- D

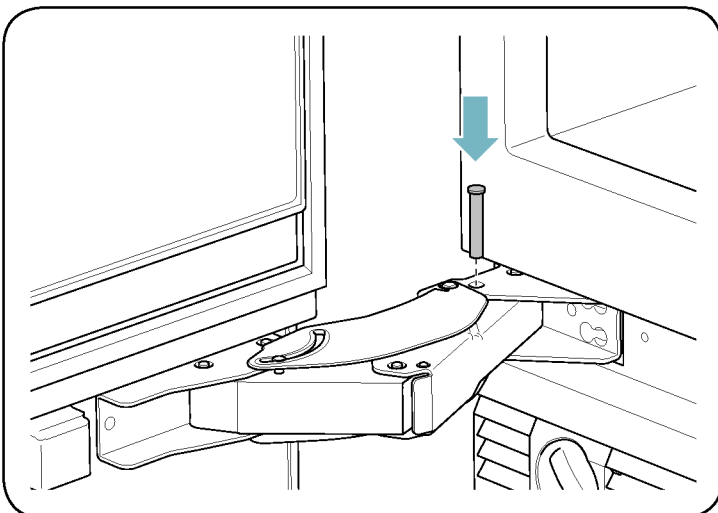
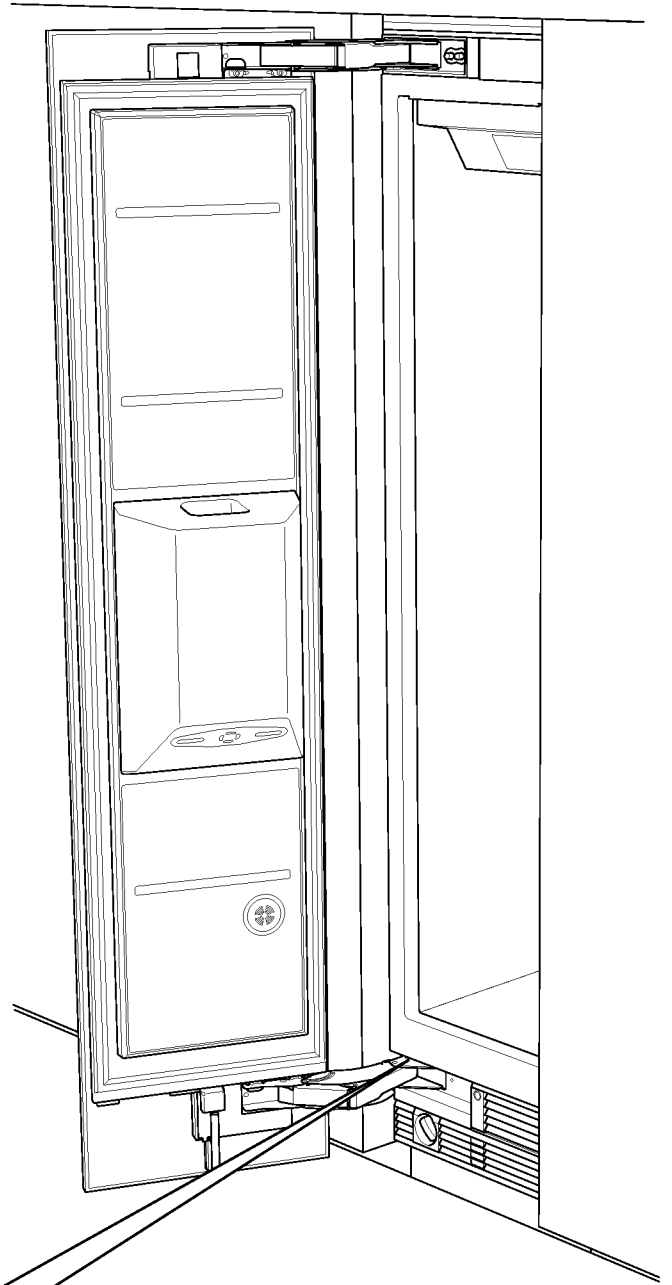
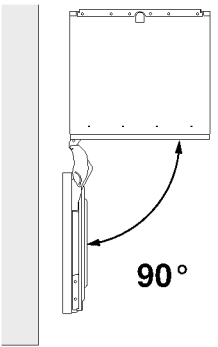
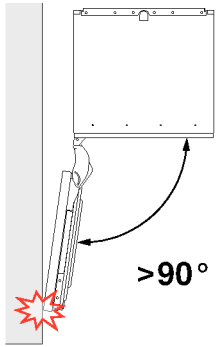
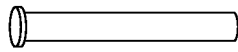


- A
- B
- C
- D





- A
- B
- C
- D





Gaggenau Hausgeräte GmbH
Carl-Wery-Straße 34
D-81739 München
www.gaggenau.com

8001132074 (9808)
xx

GAGGENAU

